

Industrial Piping System
Solutions Expert
工业管道系统解决专家



GLOBE VALVE SERIES 截止阀系列



Industrial Piping System
Solutions Expert
工业管道系统解决专家

www.jtong.cn
www.jiutongvalve.com



中国·九通集团有限公司
CHINA · JIUTONG GROUP CO.,LTD.

地址: 江苏滨海经济开发区瓠北泵阀工业园
电话: 0515-89118277 89118377 89118577 89118677
传真: 0515-89118000
邮编: 224500

Add: Oubei pump&valve industry Park North District, Binhai
Economic Development Zone, Jiangsu province
Tel: 0515-89118277 89118377 89118577 89118677
Fax: 0515-89118000
P.C: 224500

www.jtong.cn www.jiutongvalve.com

©九通企业 (JIUTONG INDUSTRY) 版权所有 采用生态纸印刷
*特别声明: 本资料数据由中国·九通集团有限公司负责解释, 如有参数变更, 恕不另行通知。不详之处请向我公司垂询!

诚招代理商 Recruitment Agents:

中国·九通集团有限公司
CHINA · JIUTONG GROUP CO.,LTD.

企业简介

Brief Introduction

www.jitong.cn
www.jitongvalve.com



诚信立业、追求卓越
Setting Up Business
In Good Faith, Seeking
For Excellence

中国·九通集团有限公司是集研发、制造、销售各种阀门为一体的大型综合性阀门企业。是中国阀门协会会员，国家电力公司电站配件供应网络成员，中国工程建设推荐产品单位。公司先后通过了ISO9001(DNV)、环境管理ISO14001、职业健康安全OHSAS18001、美国石油协会API-6D认证、欧盟安全CE认证、压力管道安全注册TS认证。

公司总部占地62800平方米，建筑面积43960平方米，现有员工200多人，其中高级工程师16人，中级技术人员56名。公司依托国外先进的技术支持和高效的管理，为生产高品质的产品提供了强有力的保证。投资兴建的工业园内建有热模锻、精密铸造、焊接、热处理、机械加工、装配等车间；拥有数控加工中心、等离子焊接机、超频真空热处理设备、车球专用数控、高效加工专机、理化和探伤设备、无损探伤检测中心等各类加工检测设备300多台套，设备配置齐全、加工检测手段完备。公司建立有CAD阀门设计中心，三维立体模拟制造实验设计系统、公司设备完备的质保系统，按照ISO9000的管理标准，从原材料进厂的产品出厂，实行道工序层层把关，确保产品质量。

公司产品按国际ISO、美国API、ANSI、英国BS、德国DIN、法国NF、日本JIS、JPI、及GB、JB标准组织生产，阀门主要

产品有电站阀、闸阀、截止阀、止回阀、球阀、蝶阀、水力控制阀、锻钢阀、疏水阀、船用阀门、机械铸造、机械锻造、试验及检验设备等；压力级：Class150-class4500，PN10-PN420；口径范围：NPS1/2-NPS80，DN10-DN3000；驱动方式：手动、齿轮传动、气动、电动、气液联动等；连接方式：法兰连接、对焊连接、承插连接、对夹连接、螺纹连接、卡套连接等；主要材料（铸件）：WCB、WCC、LCB、LCC、LC1、LC2、LC3、CF8、CF3、CF8M、CF3M、CF8C、CN7M、CA15、C5、WC5、WC6、WC9等；主要材料（锻件）：A105、LF1、LF2、F304、F304L、F316、F316L、F11、F22、F6、F51、F316H、F321、F347等。并根据客户特殊要求进行冶炼和制造。多年来为电力、石油、化工、化肥、冶金、制药等行业引进装置进行阀门配置，产品畅销2000多家大中型企业，并致力开拓国际市场，已出口阀门数万（台）套，远销欧美、中东、东南亚等十多个国际和地区，得到用户的广泛赞誉和信赖。

展望未来，我们将与时俱进，锐意创新，时刻满怀创业的豪情和无限憧憬，昂首阔步，纵横千里，实行着又一个新的跨越。同时竭诚期待各界销售精英加盟，共建九通经销商网络，我们将以最优性价比的产品和服务，最富竞争的商务政策、回馈销售网络，与经销商朋友共谋发展，共赢未来。

China Jiutong Group Corporation is a large-scale comprehensive enterprise integrating R&D, manufacturing and sales of various valve, and one of the members of China Valve Association, State Power Corporation Power Station Accessories Supply Network and the recommending products list of Chinese engineering construction. It has passed successively the following certifications like ISO9001(DNV), Environmental Management ISO14001 and Occupational Health and Safety OHSAS18001, API-6D, CE and TS for Pressure Pipeline Safety Registration.

The corporation covers an area of 62800 sq.m, and a floorage of 43960 sq.m with a staff of more than 200 involving 16 senior engineers and 56 middle-grade technicians. A powerful assurance is offered to produce high quality products based upon foreign advanced technical support and high efficient management, the industry park invested has constructed the workshops of hot-press forging, precision casting, welding, heat treatment, mechanical processing, assembling and so on and has complete equipments and testing measures in possession of over 300 sets of various processing and testing equipments like CNC processing center, plasma welding machine, ultra-frequency vacuum heat treatment machine, ball-purpose CNC and efficient processor, physical & chemical detection machine, nondestructive inspection machine and so on. It has established CAD valve design center, three-dimensional Analogue manufacturing experimental design system and complete quality control system with armed equipments. The quality of products is guaranteed in each work procedure from the entrance of raw materials to the delivery of products in accordance with the standards of ISO9000.

The products, produced in accordance with ISO, API, ANSI, BS, DIN, NF, JIS, JPI, GB and JB, include power station valve,

gate valve, globe valve, check valve, ball valve, butterfly valve, hydraulic valve, forged steel valve, drainage valve, boat-purpose valve, mechanical forging, mechanical casting, testing and examination equipments etc., under the pressure classes from Class150 to class 4500 (PN10-PN420), the diameter ranging from NPS 1/2 to NPS80 (DN10-DN3000), they are driven by the modes of manually, gears, pneumatically, electrically, pneumatically-hydraulically and the connection modes like flange, butt-welding, socket, wafer, threads, sleeve and so on, and made of the following materials (casting parts): WCB, WCC, LCB, LCC, LC1, LC2, LC3, CF8, CF3, CF8M, CF3M, CF8C, CN7M, CA15, C5, WC5, WC6, WC9 and so on, and main materials (forging parts): A105, LF1, LF2, F304, F304L, 316, F316L, F11, F22, F6, F51, F316H, F321, F347 and so on, furthermore, the products can be melt and manufactured as per special requirements of clients, which are used to configure the valves of the introducing device in the fields like power supply, petroleum, chemicals, fertilizer, metallurgy and pharmacy, and are well sold to more than 2000 large and middle-scale enterprises and strive for exploiting international markets by exporting ten thousands of valves to ten odd nations and regions including Western countries, Middle East and Southeast Asia, and are widely trusted and appraised by clients.

Looking forward to the future, we will keep pace to the times and innovation, take a leap of new summit with full ambition and expectation of enterprising, moreover, we are sincerely looking forward to the joining of sales elite in various cycles to commonly develop dealer network of Jiutong, we will commonly make development and win-win policies with friends of dealers on the basis of products and service of best cost performance and most competitive business policies and the feedback of sales network.

品质保障 Quality Guarantee

品质，是核心理念！

我们将品质融入企业运行的每一环节，赋予现实的表现。
品质之路，积跬步，至千里，济天下，
立志成为值得人们信赖的阀门品牌企业。

Quality, the Kernel Concept.

We have inoculated the quality into each step of enterprise management, not a slogan only.
The way of quality development, is accumulated step by step, then it can glow up long time,
win the world market.
We aspired to become the reliable brand of valve appliances.



我们珍惜用多年汗水铸造的品牌，珍惜每一份来之不易的荣誉。面对掌声我们没有眷恋徘徊，也不曾犹豫不决，
我们把它化作前进的动力，一步一脚印、不断锐意进取、超越自我……
We cherish the brand casted by sweat and every hard-earned honor. Facing applause,
We never wandered and hesitated. We turn it into the power pushing us forward step by step……

完善的检测保障系统 Completed Inspection Guarantee System



生产装备 Production Equipment

我们拥有先进的生产装备，运用崭新的管理概念及强大的专业技术力量，生产出符合国际标准的高品质产品。

We Own Advanced Producing Equipment ,make Sure Of Completely New Managing Concept An Strong Professional Technology Force To Produce High Quality Products That Confirm With International Standard.

先进的加工设备，可靠的质量保证。一流的检测设备，一丝不苟的检测手段，确保产品的稳定和可靠。细致是监测产品质量的保证。不让质量问题损害我们的品牌是我们的宗旨。有序的生产程序，有效的工作效率是取胜于一切的必要基础。

Advanced processing equipment, reliable quality guaranty best checking equipment, earnest checking measures, macking sure of the steadiness and reliane of our products. Meticulous monitoring is the assurance of product quality. We never allow quality defect injuring our brand. Orderly production process and effective working efficiency is quite crucial for making success.

>>>>

>>>>

>>>>

>>>>



产品目录 Contents

>>>>

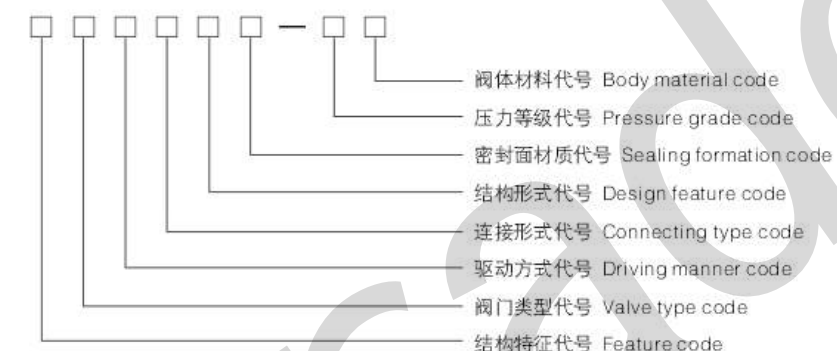
截止阀	01-02	Globe Valve	01-02
API 铸钢截止阀	03-05	API Cast Steel Globe Valve	03-05
磅级低温截止阀	06-07	Cryogenic Globe Valve	06-07
API 电站截止阀	08-10	API Power Station Globe Valve	08-10
API 电站Y形截止阀	11-12	API Power Station Y-type Globe Valve	11-12
GB 铸钢截止阀	13-16	GB Cast Steel Globe Valve	13-16
GB 电站截止阀	17-20	GB Power Station Globe Valve	17-20
真空隔离截止阀	21-23	Vacuum-Isolating Globe Valve	21-23
水封式截止阀	24	Water-Sealed Globe Valve	24
平衡角式截止、节流阀	25-26	Balance Kok Type Globe, Expenditure Valve	25-26
压力自密封角式	27-28	Pressure-sealed Kok	27-28
DIN 波纹管截止阀	29	DIN Bellows Globe Valve	29
GB 波纹管截止阀	30	GB Bellows Globe Valve	30
节流截止放空阀	31	Discharge Globe Valve	31
GB 氟衬里截止阀	32-33	GB Teflon-lining Globe Valve	32-33
氧气、氮气、氩气专用截止阀	34-39	Oxygen, Nitrogen, Argon Dedicated Globe Valve	34-39
BJ45 型保温截止阀	40	BJ45 Jacket Globe Valve	40
BJ41型保温截止阀	41	BJ41 Jacket Globe Valve	41
Y型料浆阀	44	Y-Type Slurry Valve	44
放料阀	45	Dumping Valve	45
Y型管接放料阀	46-47	Y-Type Pipe Connecting Dumping Valve	46-47
钛截止阀	48	Titanium Globe Valve	48

www.jtong.cn
www.jiutongvalve.com

截止阀 Globe Valve



● 型号编制说明 Model schedule illustration



结构特征代号：体、盖栓接结构(默认) Hs—体、盖焊接结构 Ps—压力密封结构 FL—节流放空 T—阀套式(阀瓣) K—抗硫
Feature code: Body, bonnet bolt-jointed structure (default) Hs—body, bonnet welded structure Ps—pressure sealed structure
FL—Reduce expenditure and put empty T—The valve is one set of types(valve one) K—Antisulphur model

阀门类型代号：J—截止阀
Valve type code: J—Globe valve

驱动方式代号：4—正齿轮传动 5—伞齿轮传动 6—气动 6s—气动带手动 7—液动 9—电动 9B—防爆电动(手轮传动略)
Driving manner code: 4—Spur gear transmission 5—Bevel gear transmission 6—Air driving 6s—Take pneumatically manually
7—Hydrodynamic driving 9—Electric driving 9B—Explosion electric driving (Hand wheel driving omitted)

连接形式代号：1—内螺纹 2—外螺纹 4—法兰 6—焊接 8—承插焊
Connecting type code: 1—Interior whorl 2—Other whorl 4—Flange 6—Welding 8—Bear and insert welding

结构形式代号：1—直通式 4—角式
Design feature code: 1—Straight general formula 4—Angle type

密封面材质代号：Y—硬质合金 H—合金钢 D—渗氮钢 F—增强聚四氟乙烯 X—橡胶
Sealing formation code: Y—Hard alloy H—Alloy steel D—Nitriding steel F—intensified polytetrafluoroethylene(PTPE) X—Rubber

压力等级代号：公称压力为MPa的10倍、磅级为实际数
Pressure grade code: The 10 times of the nominal pressure MPa, pound grade is practical number

阀体材料代号：(1)铸造阀体：C—WCB I—WC6、ZG1Cr5Mo V—WC9、ZG20CrMoV P—CF8、ZG1Cr18Ni9Ti
R—CF8M、ZG1Cr18Ni12Mo2Ti S—CF3 L—CF3M F—LCB N—LC3
(2)锻造阀体：C—A105 E—LF2 A—F11 V—F22 P—F304 R—F316 S—F304L L—F316L
Body material code: (1)Cast the valve body: C—WCB I—WC6、ZG1Cr5Mo V—WC9、ZG20CrMoV P—CF8、ZG1Cr18Ni9Ti
R—CF8M、ZG1Cr18Ni12Mo2Ti S—CF3 L—CF3M F—LCB N—LC3
(2)Forge the valve body: C—A105 E—LF2 A—F11 V—F22 P—F304 R—F316 S—F304L L—F316L

● 产品结构特点 Products design features

截止阀适用于公称压力PN1.6~42MPa(Class150~4500), 工作温度≤600℃的石油、化工、制药、化肥、电力行业等各种工况的管路上, 切断或接通管路介质。

其主要结构特点有:

- 1、产品结构合理、密封可靠、性能优良、造型美观。
- 2、密封面堆焊Co基硬质合金, 耐磨、耐蚀、抗擦伤性能好, 使用寿命长。
- 3、阀杆经调质及表面氮化处理, 有良好的抗腐蚀性及抗擦伤性。
- 4、公称压力≥25.0MPa(Class1500)中腔采用自紧密封式结构, 密封性能随压力升高而增强, 保证了密封性能。
- 5、阀门设有倒密封结构, 密封可靠。
- 6、零件材质及法兰、对焊端尺寸可根据实际工况或用户要求合理选配, 满足各种工程需要。

Globe valve are used to cut or connect the pipe media under nominal pressure between PN1.6~42MPa(Class150~4500), working temperatures ≤600℃. in oil industry, chemical industry, pharmaceuticals, fertilizer, and power industry.

The main structure features include:

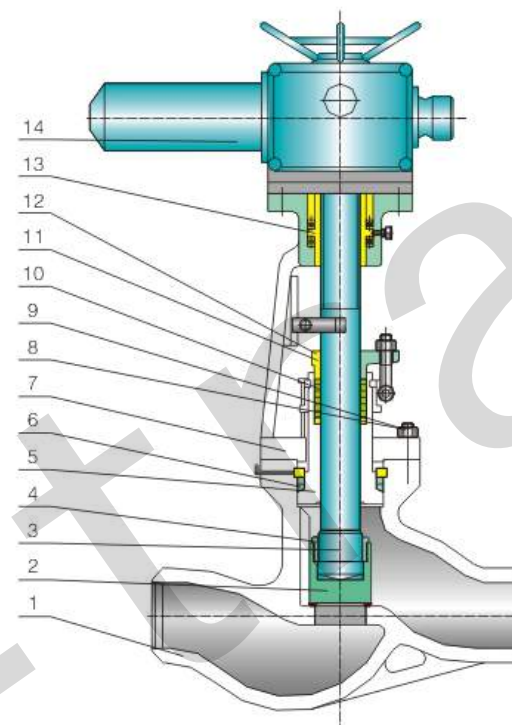
- 1、Rational structure, reliable sealing, excellent performance, pretty appearance.
- 2、Co-radiix alloy welded sealing surface, anti-wearing, erosion-proof abrasion-proof and longer use life.
- 3、The surface and the adjusting media of the valve shaft are nitrogenized so that it is erosion and abrasion resistant.
- 4、PN≥25.0MPa (class1500), the middle cavity uses a self-tightening sealing structure to have the sealing performance reinforced along with the pressure rise so as to ensure the sealing performance.
- 5、There is no backward sealing structure in the valve, so the sealing id reliable.
- 6、The material of the filling and the flange size can be chosen and matched according to the applications and the requirements of the use's. That can satisfies all kinds of working requirements.

● 产品主要参数 Main parameter of the products

基本型号 Serial models	(Hs, Ps)J11H, (Hs, Ps)J11Y, (Ps)J41H, (Ps)J41Y, (Ps)J541H, (Ps)J541Y, (Ps)J941H, (Ps)J941Y (Ps)J61H, (Ps)J61Y, (Ps)J561H, (Ps)J561Y, (Ps)J961H, (Ps)J961Y		
压力等级范围 Pressure grade range	PN1.6~42.0MPa (Class150~4500)		
口径范围 Drift diameter range	DN15~400mm(1/2'~16')		
驱动方式 Driving manner	手轮驱动 Hand wheel driving		齿轮动、电动 Gear driving and electric driving
适用范围 Scope of application	Class150~300 (PN1.6~2.5) 1/2'~12' (DN15~300mm)	Class400~900 (PN6.4~16.0) 1/2'~16' (DN15~400mm)	1/2'~16' (DN15~400mm)

● 产品性能规范 Products performance specification

压力等级 Pressure	常温试验压力(MPa) Testing pressure at constant temperature (Mpa)			适用温度 Applicable temperature	适用介质 Applicable medium
	壳体试验 The shell testing	密封试验 Seal and test	上密封试验 Have and seal testing		
公称压力 (MPa) Nominal rating pressure (PN)	1.6	2.4	1.76	1.76	-196~600℃ 水、油品、蒸汽等 Water, oil, steam, etc.
	2.5	3.75	2.75	2.75	
	4.0	6.0	4.4	4.4	
	6.4	9.6	7.04	7.04	
	10.0	15.0	11.0	11.0	
	16.0	24.0	17.6	17.6	
磅级(Lb) Pound grade (Class)	25.0	37.5	27.5	27.5	
	150	3.0	2.2	2.2	
	300	7.5	5.5	5.5	
	600	15.0	11.0	11.0	
	900	22.5	16.5	16.5	
1500	37.5	27.5	27.5		
2500	63.0	46.2	46.2		



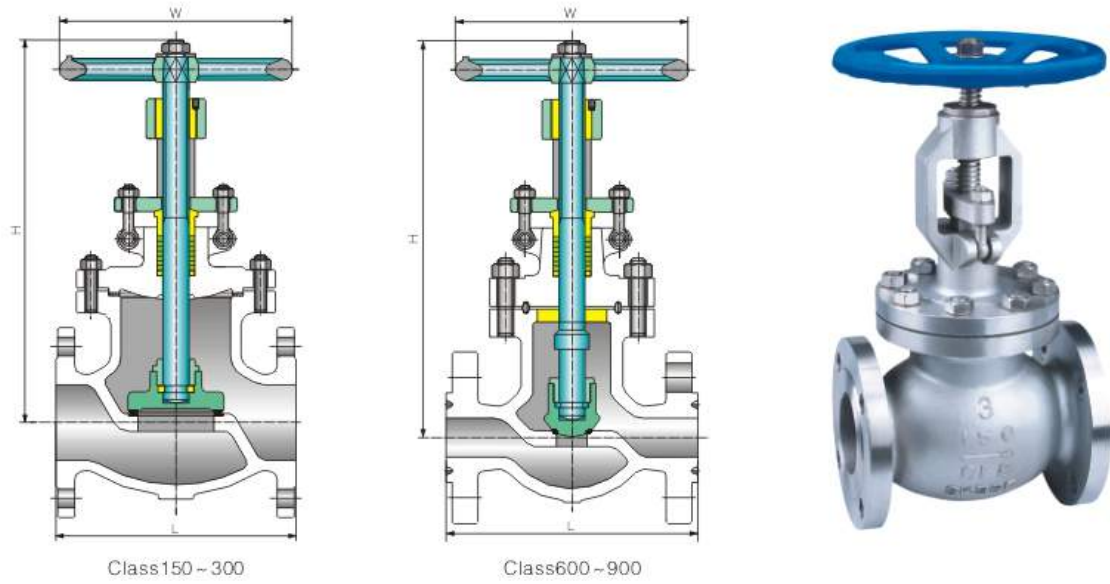
● 产品采用标准 Technical specification

结构形式 Structural formation	PS-BG-OS&Y
驱动方式 Driving manner	手动、齿轮动、电动 Hand-operated, Gear operated & Electric drining
设计标准 Design standard	ASME B16.34, BS 1873
结构长度 Face to face	ASME B 16.10
连接法兰 Flanged ends	ASME B16.5
对焊端 Butt-welding ends	ASME B 16.25
试验和检验 Test & inspection	API 598

注: 阀门连接法兰及对焊端尺寸可根据用户要求设计制造。
Notes: The sizes of valve connecting flange and butt-welding terminas can be designed according to customer's requirement.

● 主要零件材料 Major parts material form

序号No.	零件名称 Part name	材质 Material
1	阀体 Body	ASTM A216-WCB ASTM A217-WC1, WC6, WC9, C5 ASTM A351-CF8, CF8M, CF8C, CF3, CF3M
2	阀瓣 Disc	ASTM A182 Gr.F6a, ASTM A182 F22 ASTMA182-F304, F316, F321, F304L, F316L
3	阀杆 Stem	ASTM A182 Gr.F6a, ASTM A182 F22 ASTMA182-F304, F316, F321, F304L, F316L
4	阀瓣盖 Flat cover	ASTM A182 Gr.F6a, ASTM A182 F22 ASTMA182-F304, F316, F321, F304L, F316L
5	阀盖 Bonnet	ASTM A182 Gr.F6a, ASTM A182 F22 ASTMA182-F304, F316, F321, F304L, F316L
6	垫片 Gasket	柔性石墨+不锈钢 Graphite & stainless steel
7	支架 Yoke	ASTM A216-WCB ASTM A217-WC1, WC6, WC9, C5 ASTM A351-CF8, CF8M, CF8C, CF3, CF3M
8	双头螺柱 Stud	ASTM A193-B7, A320-B8, A193-B8M
9	六角螺母 Six angle nuts	ASTMA194-2H, A194-8, A194-8M
10	填料 Packing	柔性石墨 Graphite
11	填料压套 Packing press-sleeve	ASTM A182 Gr.F6a ASTMA182-F304, F316, F321, F304L, F316L
12	填料压盖 Packing gland	ASTM A216-WCB ASTM A351-CF8, CF8M, CF8C, CF3, CF3M
13	阀杆螺母 Valve stem nut	铜合金 Copper alloy
14	传动装置 Driving	

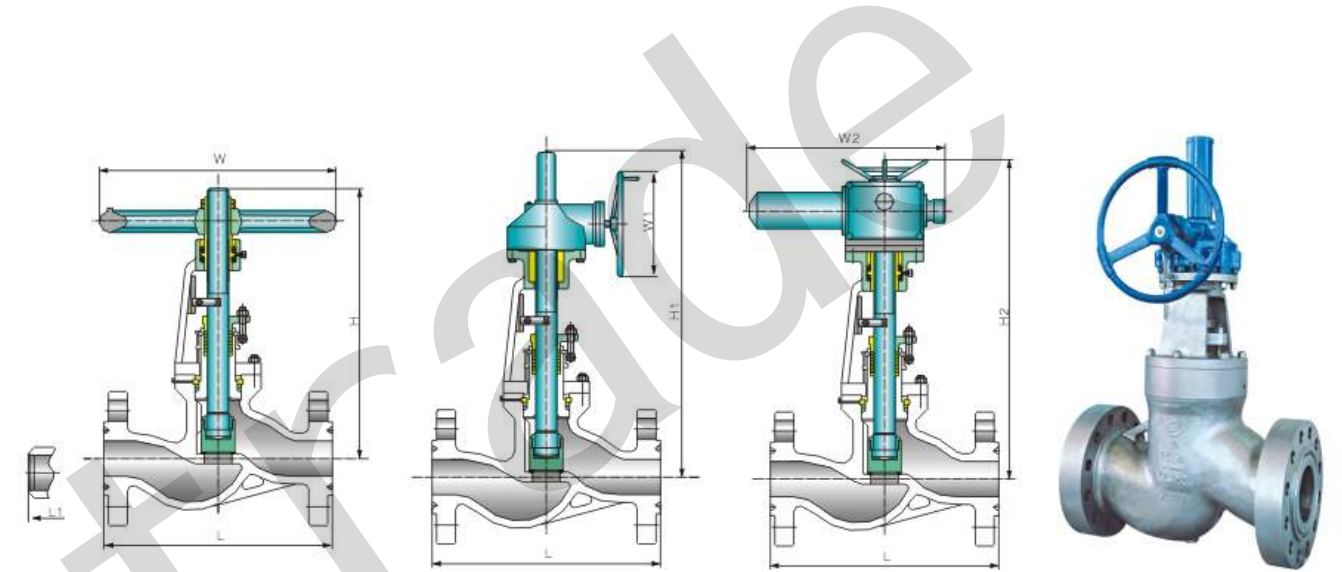


● 主要外形尺寸及重量 Main size of outside & weight

型号 Model: J41H, J41Y

Class	DN (mm)	NPS (in)	尺寸 Dimensions(mm)			重量 Weight (kg)	Class	DN (mm)	NPS (in)	尺寸 Dimensions(mm)			重量 Weight (kg)
			L	H	W					L	H	W	
150	15	1/2	108	241	125	-	300	15	1/2	152	241	125	-
	20	3/4	117	241	125	-		20	3/4	178	241	125	-
	25	1	127	242	125	-		25	1	203	283	160	-
	32	1 1/4	140	280	160	-		32	1 1/4	216	320	200	-
	40	1 1/2	165	286	160	-		40	1 1/2	229	322	200	-
	50	2	203	368	200	18		50	2	267	399	200	25
	65	2 1/2	216	387	200	30		65	2 1/2	292	438	250	30
	80	3	241	400	250	36		80	3	318	450	280	52
	100	4	292	457	250	55		100	4	356	584	355	88
	150	6	406	609	355	104		150	6	444	660	450	160
200	8	495	698	450	200	200	8	559	762	450	259		
250	10	622	762	450	300	250	10	622	850	500	420		
300	12	698	876	500	390	300	12	711	1085	500	595		
350	14	787	990	600	610	350	14	762	1187	600	876		
400	16	914	1104	600	880	400	16	864	1450	600	1010		

Class	DN (mm)	NPS (in)	尺寸 Dimensions(mm)			重量 Weight (kg)	Class	DN (mm)	NPS (in)	尺寸 Dimensions(mm)			重量 Weight (kg)
			L	H	W					L	H	W	
600	50	2	295	430	180	35	900	50	2	372	569	320	65
	65	2 1/2	334	480	250	50		65	2 1/2	442	569	320	75
	80	3	359	508	250	90		80	3	384	635	350	120
	100	4	435	635	350	150		100	4	461	774	450	200
	150	6	562	914	450	300		150	6	613	1040	600	410
	200	8	664	1016	500	510		200	8	740	1330	720	790
250	10	791	1219	600	850	250	10	842	1560	760	1300		

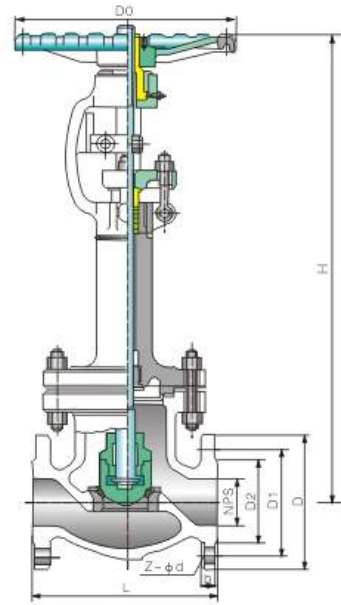


● 主要外形尺寸及重量 Main size of outside & weight

型号 Model: 法兰连接 Flanged: (Ps)J41H, (Ps)J41Y, (Ps)J541H, (Ps)J541Y, (Ps)J941H, (Ps)J941Y
对焊连接 Butt-welding: (Ps)J61H, (Ps)J61Y, (Ps)J561H, (Ps)J561Y, (Ps)J961H, (Ps)J961Y

Class	DN (mm)	NPS (in)	传动方式 Driving		手动 Hand operated		齿轮动 Gear operated				电动 Electric driving					
			法兰 Flanged L	对焊 Butt-welded L1	H	W	重量 Weight (kg)	H1	W1	齿轮装置 Gear device	重量 Weight (kg)	H2	W2	转矩 Torque (NM)	重量 Weight (kg)	
900	50	2	371	368	470	350	110	-	-	-	-	-	-	-	-	-
	65	2 1/2	422	419	560	400	130	-	-	-	-	-	-	-	-	-
	80	3	384	381	685	400	140	-	-	-	-	-	-	-	-	-
	100	4	460	457	830	500	230	880	460	BA-1	250	880	809	900	382	-
	150	6	613	610	-	-	-	1135	460	BA-1	500	1135	809	1200	635	-
	200	8	740	737	-	-	-	1495	610	BA-2	900	1495	863	1800	1155	-
1500	250	10	841	838	-	-	-	1960	610	BA-2	1200	1960	863	2000	1455	-
	50	2	371	368	535	400	130	-	-	-	-	-	-	-	-	-
	65	2 1/2	422	419	670	500	175	-	-	-	-	-	-	-	-	-
	80	3	473	470	838	500	245	-	-	-	-	-	-	-	-	-
	100	4	549	546	1193	560	350	990	460	BA-1	370	880	809	1200	505	-
	150	6	711	704	-	-	-	1280	610	BA-2	720	1135	863	1800	855	-
2500	200	8	841	831	-	-	-	1615	610	BA-2	1370	1495	863	2500	1628	-
	250	10	1000	990	-	-	-	2170	610	BA-2	1675	1960	863	2500	1933	-
	50	2	454	451	650	500	180	-	-	-	-	-	-	-	-	-
	65	2 1/2	514	508	840	560	250	-	-	-	-	-	-	-	-	-
	80	3	584	578	990	600	350	-	-	-	-	-	-	-	-	-
	100	4	683	673	1210	680	580	1090	610	BA-2	615	1090	863	1800	870	-
2500	150	6	927	814	-	-	-	1470	610	BA-2	990	1470	863	2500	1248	-
	200	8	1038	1022	-	-	-	1735	610	BA-2	1620	1735	960	3000	2050	-

注: 对焊连接阀门尺寸可根据用户要求选配。
Note: connect the valve size can be welded in accordance with user requirements matching.



● 执行标准 Administer standard

设计与制造 Design and manufacture	结构长度 Face to face	法兰尺寸 Flange dimension	压力-温度 Pressure temperature rating	试验-检验 Inspection and test
JIS/T7749	API/T 12221	JIS/T79	API/T9131	JIS/T9092

● 产品性能规范 Products performance specification

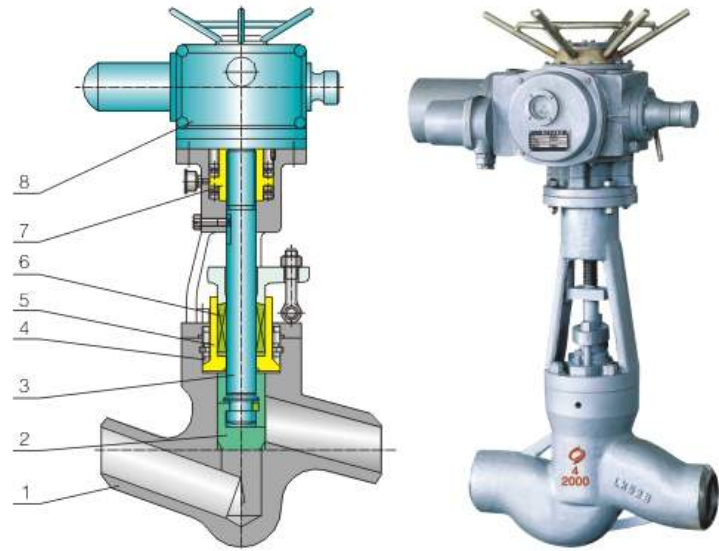
公称压力PN Nominal Pressure	1.6	2.5	4.0
强度试验 Shell Test	2.4	3.8	6.0
水密封试验 Water Seal Test	1.8	2.8	4.4
上密封试验 Back Seat Test	1.8	2.8	4.4
气密封试验 Air Seal Test	0.4-0.7		

● 主要零件材料及性能 Main part materials and property

体盖板 Body cover disc	阀杆 Stem	密封面 Sealing face	垫片 Shim	填料 Packing	工作温度℃ Working temperature	适用介质 Suitable medium
LCB	1Cr17Ni12	STL/STL	1Cr13/柔性石墨 低温石棉	PTFE	-46	丙烷/丙烯 甲醇/乙醇 煤气/液氨 Propane Propylene Methanol Ethanol Coal-gas Liquid Ammonia
LC1				浸聚四氟乙 烯石棉绳	-60	
LC2	1Cr13/Flexible	柔性石墨	-73			
LC3	Graphite	Asbe Stos String With	-101			
LC4	SUB-Zero	Asbestos	PTFE Soaked Fletible Graphite	-115		
CF8	1Cr18Ni9Ti			-196		

● 主要外形尺寸及重量 Main size of outside & weight

产品型号 Type	NPS in	DN mm	Class 150Lb/300Lb/600Lb						D0	H			WT (Kg)
			L	D	D1	D2	b	Z-φd		-46℃	-101℃	-196℃	
DJ41Y-150Lb	2"	50	203	152	120.5	92	16	4-φ19	224	460	480	520	15
	3"	80	241	190	152.5	127	19	4-φ19	250	520	550	590	28
	4"	100	292	229	190.5	157	24	8-φ19	350	545	575	615	32
	5"	125	356	254	216	186	24	8-φ22	350	590	620	660	88
	6"	150	406	279	241.5	216	26	8-φ22	355	650	680	730	96
	8"	200	495	343	298.6	270	29	8-φ22	400	850	880	930	155
	10"	250	611	406	362	324	31	12-φ25	500	956	986	1036	425
DJ41Y-300Lb	12"	300	698	483	432	381	32	12-φ25	560	1095	1125	1175	641
	2"	50	267	165	127	92	23	8-φ19	224	460	480	520	16
	3"	80	318	210	168.5	127	29	8-φ22	300	520	550	590	29
	4"	100	356	254	200	157	32	8-φ22	355	545	575	615	32
	5"	125	400	279	235	186	35	8-φ22	355	590	620	660	90
	6"	150	444	318	270	216	37	12-φ22	450	650	680	730	98
	8"	200	559	381	330	270	42	12-φ25	560	850	880	930	159
DJ41Y-600Lb	10"	250	622	445	387.5	324	48	16-φ29	560	956	986	1036	436
	12"	300	711	521	451	381	51	16-φ32	630	1095	1125	1175	657
	2"	50	292	165	127	92	26	8-φ19	250	483	504	546	16
	3"	80	356	210	168	127	32	8-φ22	400	546	578	620	30
	4"	100	432	273	216	157	38	8-φ25	400	572	604	646	33
DJ41Y-600Lb	5"	125	508	330	266.5	186	45	8-φ29	400	620	651	693	93
	6"	150	559	356	292	216	48	12-φ29	560	683	741	767	100
	8"	200	660	419	349	270	56	12-φ32	630	893	924	977	163
	10"	250	787	508	432	324	64	16-φ35	630	1004	1035	1088	447
12"	300	838	559	489	381	67	20-φ35	700	1150	1181	1234	673	



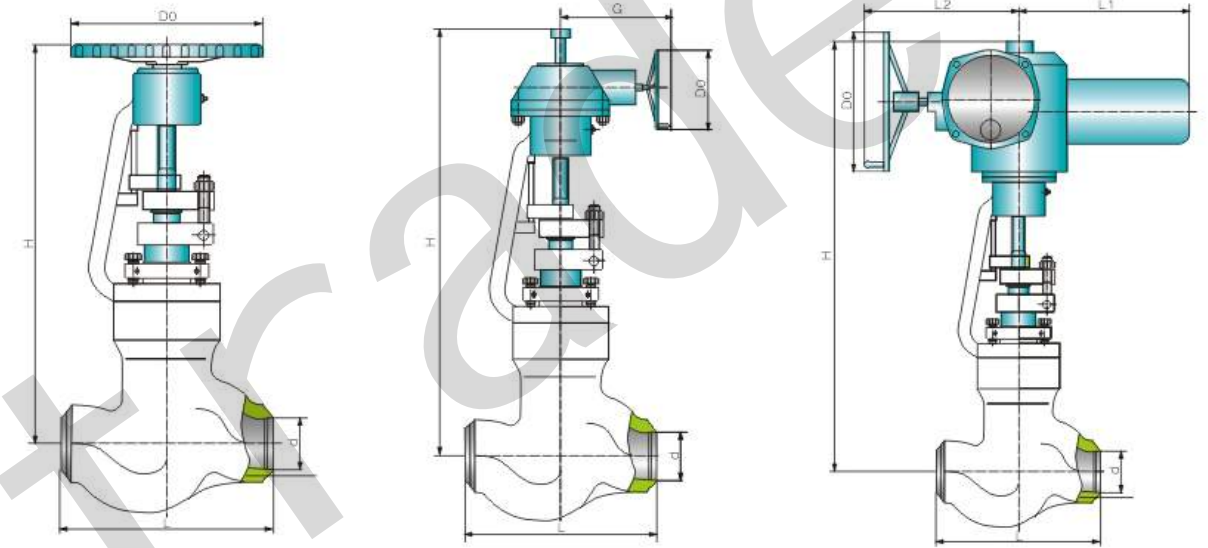
● 产品采用标准 Technical specification

设计标准 Design standard	JB/T 3593
结构长度 Structural length	JB/T 2788、GB/T 15188.1
对焊连接 Welded connection	JB/T 2788、GB/T 15188.1
压力与温度 Pressure and temperature	JB/T 3593
试验和检验 Test & inspection	JB/T 3593
焊接坡口 Weld the slope mouth	JB/T 3593、ASME 16.25

注：阀门连接法兰及焊接坡口可根据用户要求设计制造。
Note: valve connecting flange and welded groove can be designed and made upon the user requirements.

● 主要零件材料 Major parts material form

序号 No.	零件名称 Part name	材质 Material
1	阀体 Body	WCB、WC1、WC6、WC9、C12
2	阀瓣 Disc	A105、A182-F11、F22、F5、F9
3	阀杆 Stem	A182-F6a、A182-F22、A182-F11
4	密封圈 Sealing ring	柔性石墨 Graphite
5	阀盖 Bonnet	WCB、WC1、WC6、WC9、C12
6	填料 Packing	柔性石墨 Graphite
7	阀杆螺母 Valve stem nut	铜合金 Copper alloy
8	电动装置 Electronic device	组件 Package



● 主要外形尺寸及重量 Main size of outside & weight

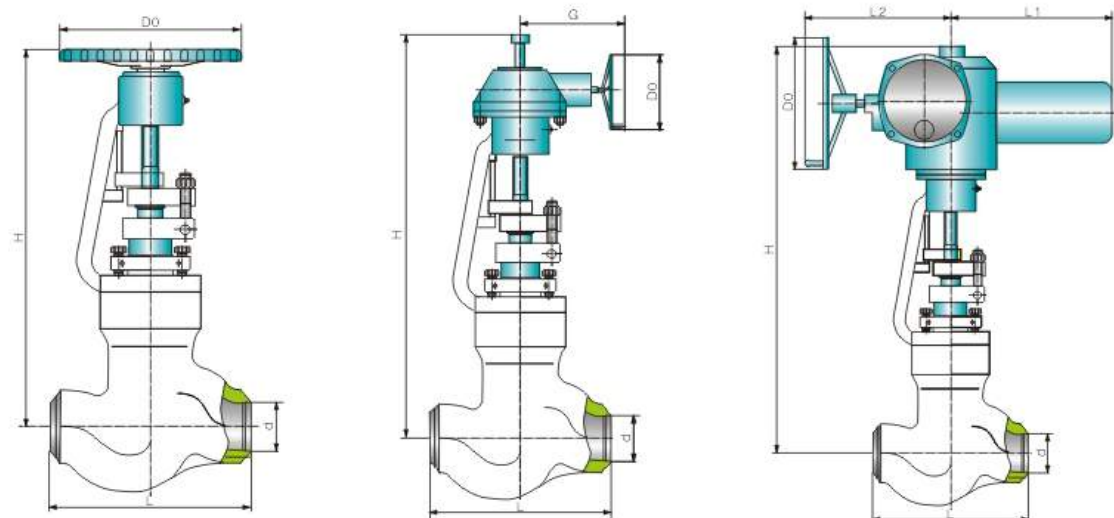
型号 Model: J61Y-1500Lb、J561Y-1500Lb、J961Y-1500Lb

NPS (in)	L	d	手动 Hand-operated			齿动 Geared driving			齿动装置 Geared driving	电动 Electric driving device			电动装置 Electric driving device
			H	D0	重量(kg) Weight	H	D0	重量(kg) Weight		H	D0	重量(kg) Weight	
3	390	64	848	510	150	-	-	-	-	1030	305	265	SMC-00
4	480	84	910	560	240	-	-	-	-	1070	305	384	SMC-0
5	580	100	1030	610	251	995	460	303	BA-1	1135	457	520	SMC-1
6	630	126	-	-	-	1360	460	680	BA-1	1681	305	804	SMC-1
8	770	158	-	-	-	1500	610	762	BA-2	1860	305	948	SMC-1

● 主要外形尺寸及重量 Main size of outside & weight

型号 Model: J61Y-2000Lb、J561Y-2000Lb、J961Y-2000Lb

NPS (in)	L	d	手动 Hand-operated			齿动 Geared driving			齿动装置 Geared driving	电动 Electric driving device			电动装置 Electric driving device
			H	D0	重量(kg) Weight	H	D0	重量(kg) Weight		H	D0	重量(kg) Weight	
2 1/2	420	50	815	510	160	-	-	-	-	975	305	340	SMC-0
3	470	60	895	560	200	-	-	-	-	1060	305	388	SMC-0
4	570	80	1024	700	280	1125	460	386	BA-1	1220	305	542	SMC-1
5	660	96	-	-	-	1370	610	460	BA-2	1425	457	646	SMC-2
6	760	118	-	-	-	1430	610	560	BA-2	1480	457	780	SMC-2



● 主要外形尺寸及重量 Main size of outside & weight

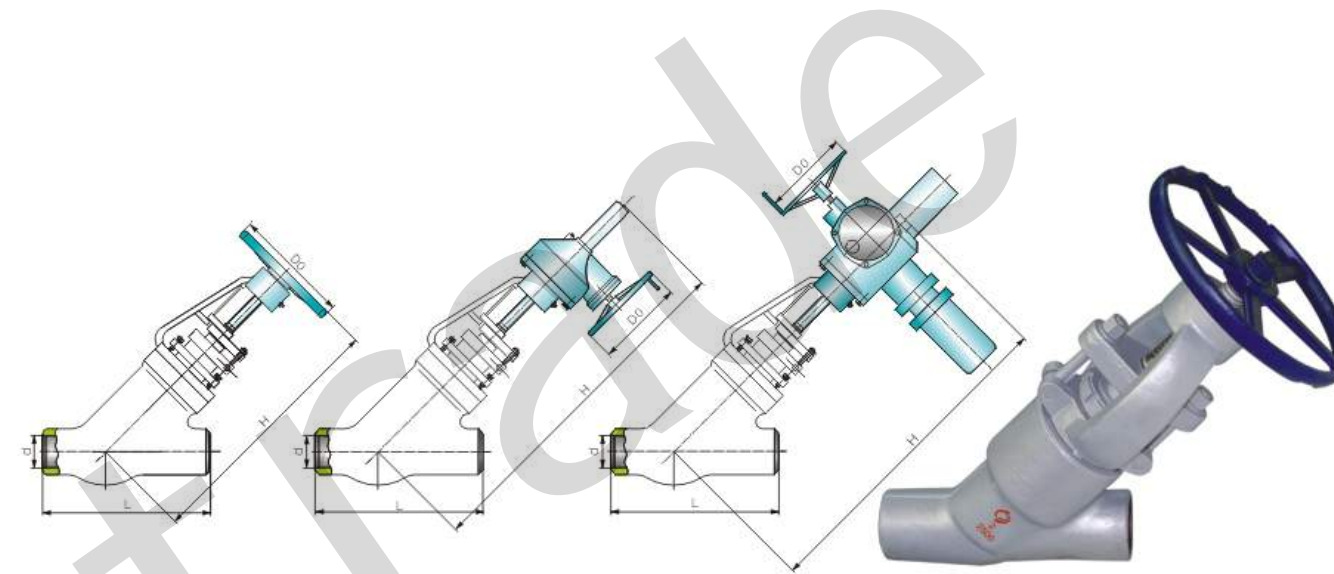
型号 Model: J61Y-2500Lb, J561Y-2500Lb, J961Y-2500Lb

NPS (in)	L	d	手动 Hand-operated			齿动 Geared driving			齿动装置 Geared driving	电动 Electric driving device			电动装置 Electric driving device
			H	D0	重量(kg) Weight	H	D0	重量(kg) Weight		H	D0	重量(kg) Weight	
2 1/2	420	46	857	510	250	-	-	-	-	975	305	390	SMC-0
3	470	54	940	560	290	-	-	-	-	1065	305	430	SMC-0
4	570	70	1085	700	325	1125	460	406	BA-1	1220	305	700	SMC-1
5	660	88	-	-	-	1370	610	505	BA-2	1425	457	772	SMC-2
6	760	104	-	-	-	1430	610	605	BA-2	1480	457	872	SMC-2

● 主要外形尺寸及重量 Main size of outside & weight

型号 Model: J61Y-3500Lb, J561Y-3500Lb, J961Y-3500Lb

NPS (in)	L	d	手动 Hand-operated			齿动 Geared driving			齿动装置 Geared driving	电动 Electric driving device			电动装置 Electric driving device
			H	D0	重量(kg) Weight	H	D0	重量(kg) Weight		H	D0	重量(kg) Weight	
2 1/2	480	38	890	460	235	-	-	-	-	945	305	342	SMC-00
3	640	48	1030	560	425	1055	310	458	BA-0	1150	305	565	SMC-0
4	762	60	-	-	-	1264	460	641	BA-1	1366	305	810	SMC-0
5	864	74	-	-	-	1435	460	903	BA-1	1530	457	920	SMC-2
6	965	88	-	-	-	1600	760	1050	BA-3	1725	610	1100	SMC-3



● 主要外形尺寸及重量 Main size of outside & weight

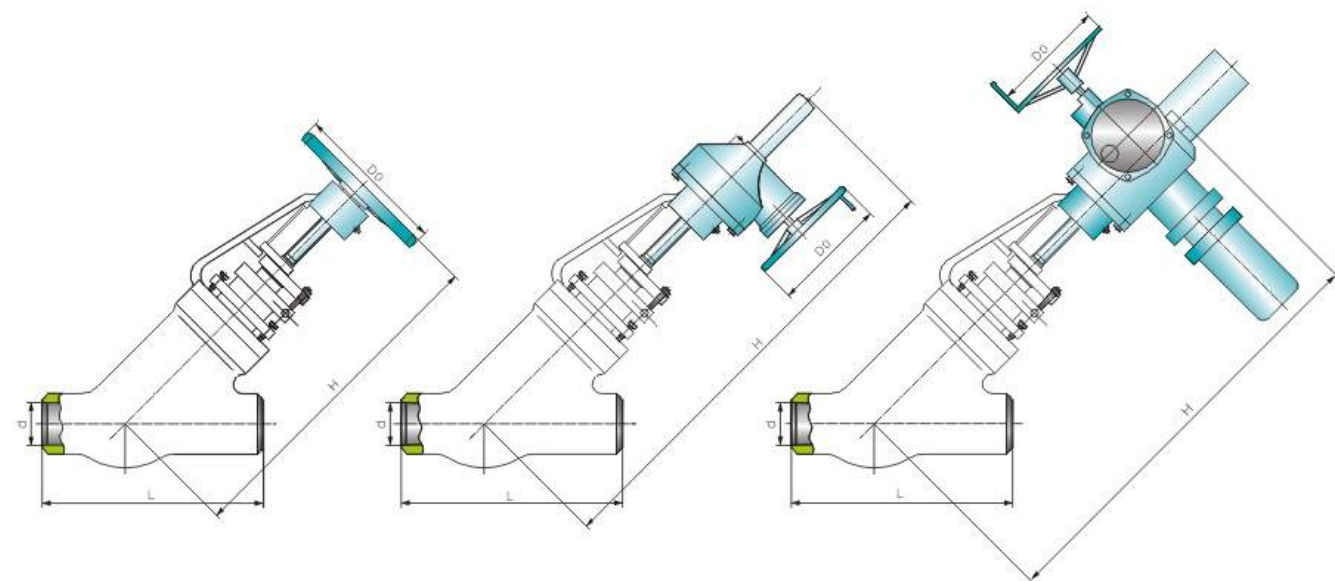
型号 Model: J65Y-1500Lb, J565Y-1500Lb, J965Y-1500Lb

NPS (in)	L	d	手动 Hand-operated			齿动 Geared driving			齿动装置 Geared driving	电动 Electric driving device			电动装置 Electric driving device
			H	D0	重量(kg) Weight	H	D0	重量(kg) Weight		H	D0	重量(kg) Weight	
2 1/2	330	56	670	360	45	-	-	-	-	-	-	-	-
3	368	64	750	460	70	-	-	-	-	990	305	200	SMC-0
4	457	84	830	510	110	-	-	-	-	990	305	310	SMC-1
5	533	100	910	560	129	1100	460	505	BA-1	1115	305	514	SMC-1
6	610	126	1100	610	180	1730	610	520	BA-2	1763	457	534	SMC-2
8	762	158	-	-	-	2010	610	820	BA-2	2026	457	950	SMC-2

● 主要外形尺寸及重量 Main size of outside & weight

型号 Model: J565Y-2000Lb, J965Y-2000Lb

NPS (in)	L	d	齿动 Geared driving			齿动装置 Geared driving	电动 Electric driving device			电动装置 Electric driving device
			H	D0	重量(kg) Weight		H	D0	重量(kg) Weight	
4	457	80	870	460	214	BA-1	990	305	327	SMC-1
5	533	96	995	460	303	BA-1	1115	305	408	SMC-1
6	610	118	1025	610	470	BA-2	1423	457	470	SMC-2
8	762	148	1505	610	980	BA-2	1615	457	1050	SMC-2
10	914	180	1825	760	1280	BA-3	2240	610	1582	SMC-4
12	1041	222	2300	610	2714	B-4-PA-2	2490	610	2340	SMC-4



● 主要外形尺寸及重量 Main size of outside & weight

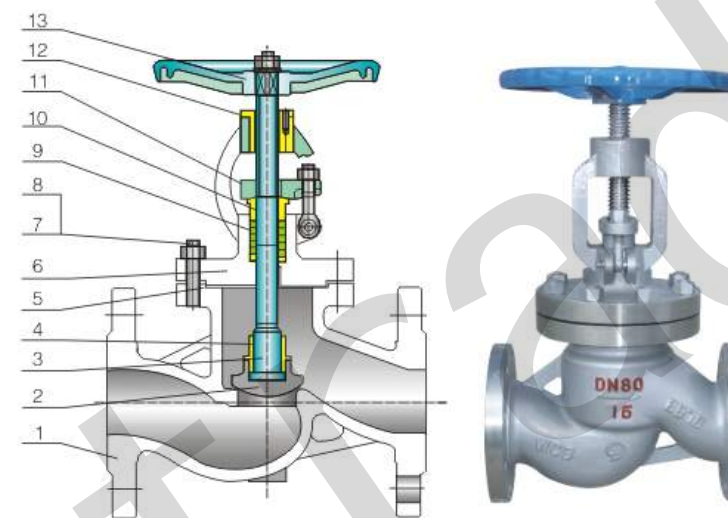
型号 Model: J565Y-3500Lb, J965Y-3500Lb

NPS (in)	L	d	齿动 Geared driving			齿动装置 Geared driving	电动 Electric driving device			电动装置 Electric driving device
			H	D0	重量(kg) Weight		H	D0	重量(kg) Weight	
3	470	48	817	310	172	BA-0	1005	305	272	SMC-0
4	550	60	930	310	293	BA-0	1133	305	387	SMC-0
5	660	74	1075	460	462	BA-1	1280	305	582	SMC-1
6	790	88	1220	460	727	BA-1	1320	305	847	SMC-1

● 主要外形尺寸及重量 Main size of outside & weight

型号 Model: J65Y-2500Lb, J565Y-2500Lb, J965Y-2500Lb

NPS (in)	L	d	手动 Hand-operated			齿动 Geared driving			齿动装置 Geared driving	电动 Electric driving device			电动装置 Electric driving device
			H	D0	重量(kg) Weight	H	D0	重量(kg) Weight		H	D0	重量(kg) Weight	
2	310	38	550	300	42	-	-	-	-	810	305	130	SMC-00
2 1/2	340	46	670	360	72	-	-	-	-	895	305	160	SMC-00
3	390	54	750	460	81	750	310	121	BA-0	995	305	217	SMC-0
4	480	70	830	720	130	870	460	212	BA-1	990	305	337	SMC-1
5	580	86	-	-	-	995	460	312	BA-1	1115	305	432	SMC-1
6	630	104	-	-	-	1205	610	410	BA-2	1280	457	652	SMC-2
8	770	130	-	-	-	1565	610	1060	BA-2	1615	457	1122	SMC-2
10	930	162	-	-	-	1870	760	1380	BA-3	1930	610	1652	SMC-3
12	1060	210	-	-	-	2335	760	2824	B-4-PA-2	2240	610	2862	SMC-4
14	1160	234	-	-	-	2515	760	3624	B-4-PA-2	2420	610	3662	SMC-4



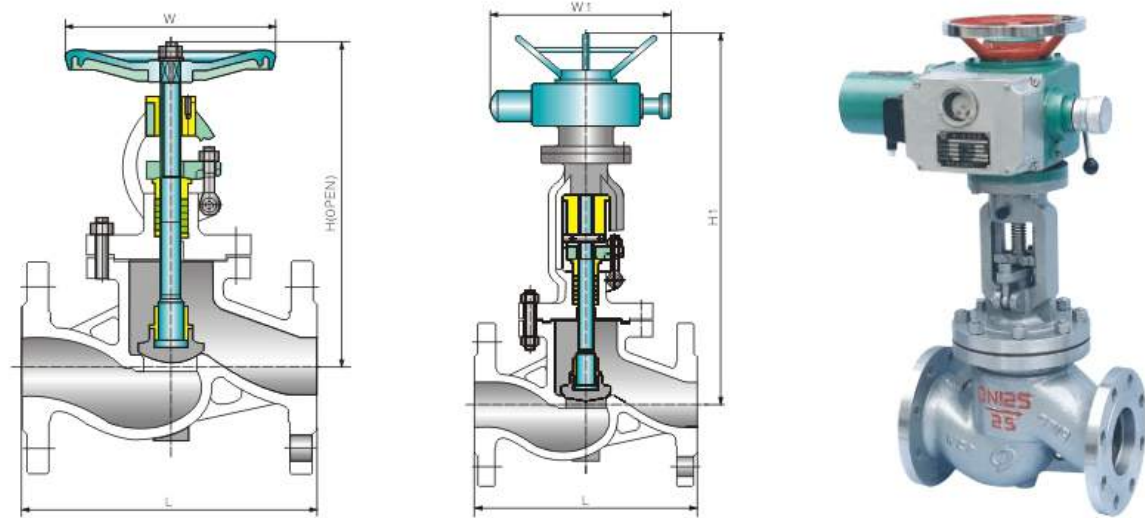
● 产品采用标准 Technical specification

结构形式 Structural formation	栓接阀盖明杆支架结构 Bolt-jointed bonnet outside stem yoke structure
驱动方式 Driving manner	手动、电动 Hand-operated, Electric-driving
设计标准 Design standard	GB/T 12235
结构长度 Face to face	GB/T 12221
连接法兰 Flanged ends	GB/T 9113, JB/T 79, HG20592
试验和检验 Test & inspection	JB/T 9092

注：阀门连接法兰及对焊端尺寸可根据用户要求设计制造。
Note: The sizes of valve connecting flange and butt-welding terminas can be designed according to customer's requirement.

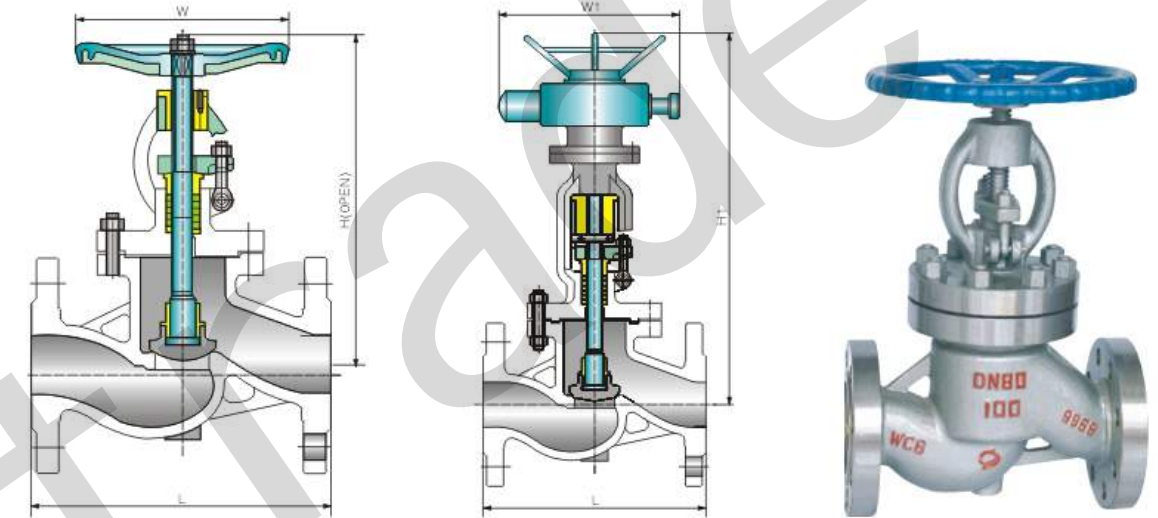
● 主要零件材料 Major parts material form

序号No.	零件名称 Part name	材质 Material
1	阀体 Body	WCB, WC1, WC6, WC9, C5, CF8, CF8M, CF8C, CF3, CF3M
2	阀瓣 Disc	25, 1Cr13, 2Cr13, 1Cr18Ni9Ti, 0Cr18Ni12Mo2Ti, 20Cr1Mo1V, 25Cr2MoV
3	阀杆 Stem	1Cr13, 2Cr13, 1Cr18Ni9, 0Cr18Ni12Mo2Ti, 20Cr1Mo1V, 25Cr2MoV
4	阀瓣盖 Flat cover	25, 1Cr13, 2Cr13, 1Cr18Ni9Ti, 0Cr18Ni12Mo2Ti, 20Cr1Mo1V, 25Cr2MoV
5	垫片 Gasket	柔性石墨+不锈钢 Graphite & stainless steel
6	阀盖 Bonnet	WCB, WC1, WC6, WC9, C5, CF8, CF8M, CF8C, CF3, CF3M
7	双头螺柱 Stud	35CrMoA, 0Cr18Ni9, 0Cr17Ni12Mo2, 25Cr2MoV
8	六角螺母 Nut	45, 35CrMoA, 0Cr18Ni9, 0Cr17Ni12Mo2, 25Cr2MoV
9	填料 Packing	柔性石墨 Graphite
10	填料压套 Packing press-sleeve	1Cr13, 2Cr13, 1Cr18Ni9, 0Cr18Ni12Mo2Ti
11	填料压盖 Packing gland	WCB, CF8, CF8M, CF8C, CF3, CF3M
12	阀杆螺母 Valve stem nut	铜合金 Copper alloy
13	手轮 Handwheel	ASTMA47-32510



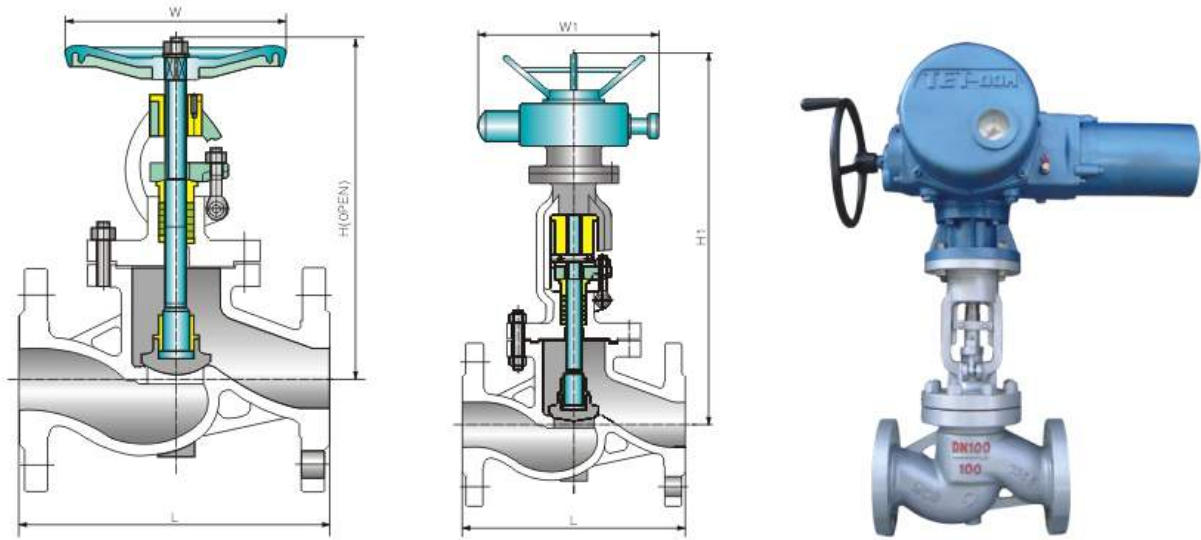
●主要外形尺寸及重量 Main size of outside & weight 型号Model: J41H, J41Y, J41W, J41N, J941H, J941Y, J941W, J941N

PN (MPa)	传动方式 Driving			手动 Hand operated		电动 Electric driving			
	DN (mm)	L	H	W	重量 Weight (kg)	H1	W1	电动装置 Electric driving	重量 Weight (kg)
1.6	15	130	218	120	5.3	-	-	-	-
	20	150	260	140	7.2	-	-	-	-
	25	160	275	160	7.5	-	-	-	-
	32	180	282	180	8.7	-	-	-	-
	40	200	332	200	12.4	-	-	-	-
	50	230	350	240	14	642	960	DZW10A	50
	65	290	405	280	22.5	695	960	DZW10A	62
	80	310	360	280	29.5	712	960	DZW10A	65
	100	350	412	320	34	772	960	DZW15A	73
	125	400	462	360	80	785	960	DZW20A	120
	150	480	510	400	95	812	960	DZW30A	212
	200	600	715	400	178	965	1325	DZW45A	325
250	650	789	450	438	1138	1325	DZW60A	552	
300	750	925	500	650	1285	1370	DZW90	783	
2.5	15	130	218	120	5.5	-	-	-	-
	20	150	260	140	7.4	-	-	-	-
	25	160	275	160	7.8	-	-	-	-
	32	180	282	180	8.7	-	-	-	-
	40	200	332	200	12.4	-	-	-	-
	50	230	350	240	15	642	960	DZW10A	52
	65	290	405	280	24.5	695	960	DZW10A	63
	80	310	360	280	31	712	960	DZW15A	68
	100	350	412	320	36	772	960	DZW20A	75
	125	400	462	360	88	785	960	DZW30A	122
	150	480	510	400	98	812	1325	DZW45A	215
	200	600	715	400	183	965	1325	DZW60A	327
250	650	789	450	443	1138	1370	DZW90	555	
300	750	925	500	654	1285	1370	DZW120	786	



●主要外形尺寸及重量 Main size of outside & weight 型号Model: J41H, J41Y, J41W, J41N, J941H, J941Y, J941W, J941N

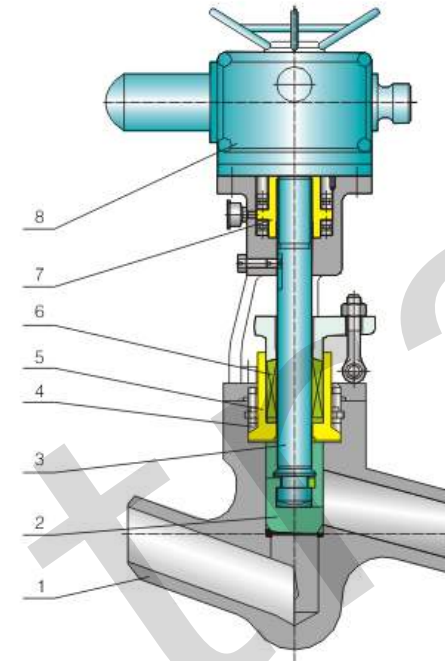
PN (MPa)	传动方式 Driving			手动 Hand operated		电动 Electric driving			
	DN (mm)	L	H	W	重量 Weight (kg)	H1	W1	电动装置 Electric driving	重量 Weight (kg)
4.0	15	130	235	120	5.9	-	-	-	-
	20	150	278	140	7.5	-	-	-	-
	25	160	288	160	8.0	-	-	-	-
	32	180	305	180	8.9	-	-	-	-
	40	200	358	200	12.5	-	-	-	-
	50	230	378	240	15.2	642	960	DZW10A	61
	65	290	408	280	24.6	695	960	DZW10A	78
	80	310	435	320	32	712	960	DZW20A	85
	100	350	482	360	40	772	960	DZW30A	105
	125	400	555	400	90	785	1325	DZW45A	205
	150	480	613	400	105	812	1325	DZW60A	228
	200	600	725	400	189	965	1370	DZW90	400
6.4	15	170	218	140	10.2	-	-	-	-
	20	190	260	160	13.5	-	-	-	-
	25	210	275	180	15	-	-	-	-
	32	230	325	200	20	-	-	-	-
	40	260	360	240	25	-	-	-	-
	50	300	410	280	36	710	960	DZW10A	65
	65	340	450	320	47	752	960	DZW15A	78
	80	380	485	360	55	785	960	DZW30A	85
	100	430	535	400	123	835	1325	DZW45A	173
	125	500	630	400	130	1030	1325	DZW60A	245
	150	556	650	450	155	1065	1370	DZW90	300
	200	650	810	500	285	1215	1370	DZW120	420



● 主要外形尺寸及重量 Main size of outside & weight

型号 Model: J41H, J41Y, J41W, J41N, J941H, J941Y, J941W, J941N

PN (MPa)	传动方式 Driving		手动 Hand operated			电动 Electric driving			
	DN (mm)	L	H	W	重量 Weight (kg)	H1	W1	电动装置 Electric driving	重量 Weight (kg)
10.0	15	170	220	120	10.5	-	-	-	-
	20	190	260	140	14	-	-	-	-
	25	210	275	160	15.5	-	-	-	-
	32	230	325	180	21	-	-	-	-
	40	260	360	200	26.5	-	-	-	-
	50	300	415	240	27	715	960	DZW20A	82
	65	340	455	280	49	760	960	DZW30A	105
	80	380	485	280	56	788	1325	DZW45A	178
	100	430	538	320	125	840	1325	DZW60A	195
	125	500	635	360	134	1032	1370	DZW90	288
16.0	150	550	650	400	158	1072	1370	DZW120	450
	200	650	812	400	288	1220	1395	DZW180	855
	15	170	220	140	12.5	-	-	-	-
	20	190	262	160	15.5	-	-	-	-
	25	210	275	180	18	-	-	-	-
	32	230	326	200	22	-	-	-	-
	40	260	362	240	35	-	-	-	-
	50	300	417	250	53	745	960	DZW30A	95
	65	340	455	320	72	825	1325	DZW45A	165
	80	380	485	400	101	940	1370	DZW90	220
100	430	540	450	120	1152	1370	DZW120	240	
125	500	-	-	-	-	1185	1435	DZW180	500
150	550	-	-	-	-	1230	1435	DZW250	678
200	650	-	-	-	-	1500	1785	DZW350	1125



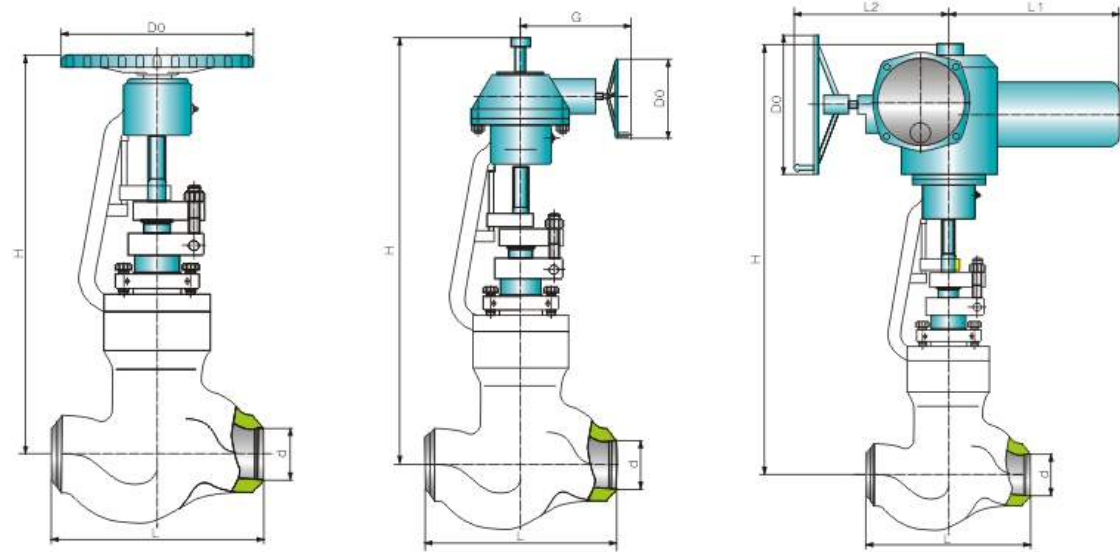
● 产品采用标准 Technical specification

设计标准 Design standard	JB/T 3595
结构长度 Structural length	JB/T 2766、GB/T15188.1
对焊连接 Welded connection	JB/T 2766、GB/T15188.1
压力与温度 Pressure and temperature	JB/T 3595
试验和检验 Test & inspection	JB/T 3595
焊接坡口 Weld the slope mouth	JB/T 3595

注：阀门连接法兰及焊接坡口可根据用户要求设计制造。
Note: valve connecting flange and welded groove can be designed and made upon the user requirements.

● 主要零件材料 Major parts material form

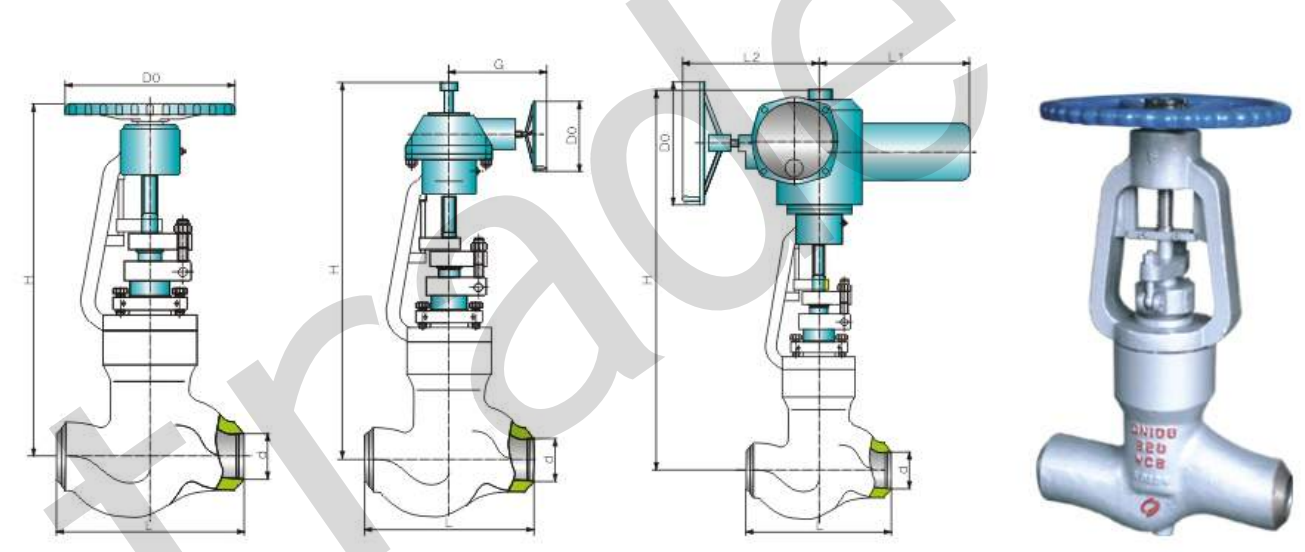
序号 No.	零件名称 Part name	材质 Material
1	阀体 Body	WCB, WC1, WC6, WC9, C12
2	阀瓣 Disc	25, 12Cr1MoVA, 1Cr13
3	阀杆 Stem	1Cr17Ni12, 2Cr13, 20Cr1Mo1VA, 25Cr2MoV
4	密封圈 Sealing ring	柔性石墨 Graphite
5	阀盖 Bonnet	WCB, WC1, WC6, WC9, C12
6	填料 Packing	柔性石墨 Graphite
7	阀杆螺母 Valve stem nut	铜合金 Copper alloy
8	电动装置 Electronic device	组件 Package



● 主要外形尺寸及重量 Main size of outside & weight

型号 Model: J61Y-250, J961Y-250

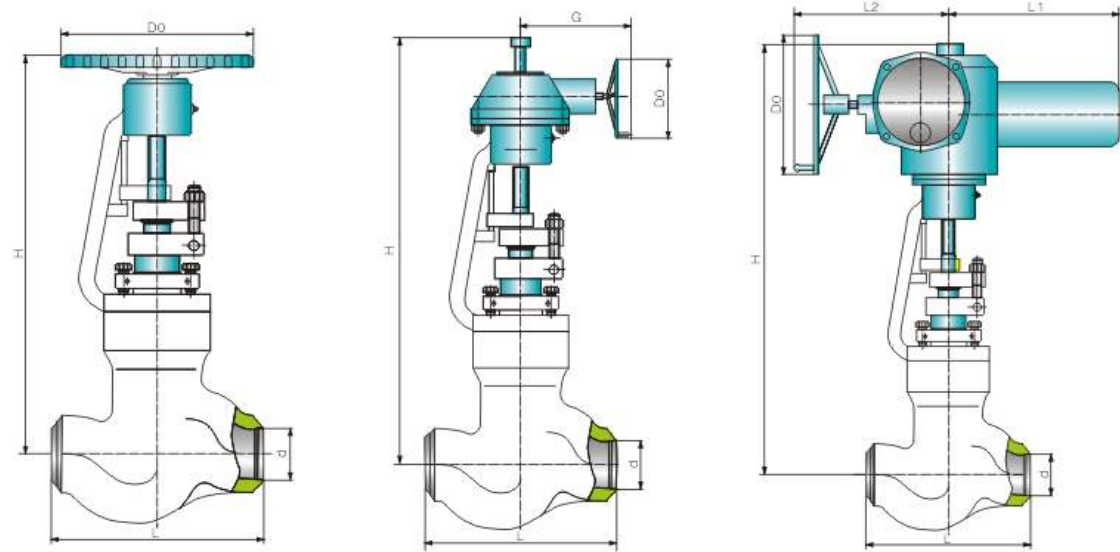
DN (mm)	L	d	手动 Hand-operated			电动 Electric driving device			电动装置 Electric driving device
			H	D0	重量(kg) Weight	H	D0	重量(kg) Weight	
10	120	10	210	160	8	-	-	-	-
20	170	19	272	180	10	600	250	72.5	DZW10
25	1780	22	308	240	11.2	590	250	73	DZW10
32	170	26	308	240	11.8	600	250	73.5	DZW10
40	250	36	493	320	36.3	-	-	-	-
50	250	42	493	320	36.3	736	250	85	DZW30
65	340	56	775	460	120	1060	450	188	DZW45
80	390	64	848	510	150	1280	560	275	DZW90
100	480	84	910	560	240	1290	560	310	DZW90



● 主要外形尺寸及重量 Main size of outside & weight

型号 Model: J61Y-320, J961Y-320

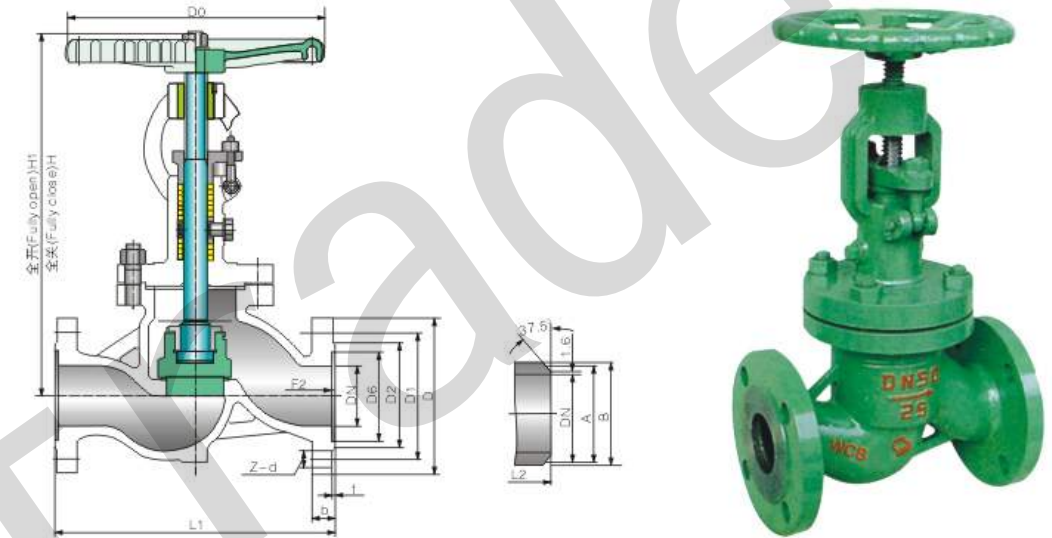
DN (mm)	L	d	手动 Hand-operated			电动 Electric driving device			电动装置 Electric driving device
			H	D0	重量(kg) Weight	H	D0	重量(kg) Weight	
10	120	10	210	160	8	-	-	-	-
20	170	19	272	180	10	600	250	72.5	DZW10
25	170	22	308	240	11.2	590	250	73	DZW10
32	170	26	308	240	11.8	600	250	73.5	DZW10
40	250	36	493	320	36.3	-	-	-	-
50	250	42	493	320	36.3	736	250	85	DZW30
65	470	60	895	560	200	1140	560	190	DZW90
80	570	80	4085	700	280	1350	560	460	DZW120
100	660	96	1045	700	340	1500	600	610	DZW180



● 主要外形尺寸及重量 Main size of outside & weight

型号 Model: J61Y-P54170V, J961Y-P54170V

DN (mm)	L	d	手动 Hand-operated			电动 Electric driving device			电动装置 Electric driving device
			H	D0	重量(kg) Weight	H	D0	重量(kg) Weight	
10	120	10	210	160	8	-	-	-	
20	170	19	272	180	10	600	250	72.5 DZW10	
25	170	22	308	240	11.2	590	250	73 DZW10	
32	170	26	308	240	11.8	600	250	73.5 DZW10	
40	250	36	493	320	36.3	-	-	-	
50	250	42	493	320	36.3	736	250	85 DZW30	
65	762	60	895	610	500	1543	560	785 DZW90	
80	864	80	1315	900	750	1790	560	1089 DZW120	
100	965	88	1475	900	1000	1891	600	1451 DZW180	



● 主要外形尺寸及重量 Main size of outside & weight

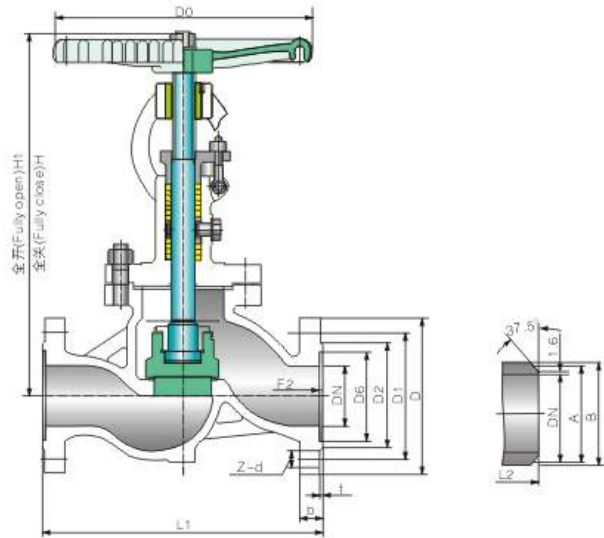
NKJ41H-16C NKJ41Y-16I NKJ41Y-16P NKJ41Y-16R NKJ61H-16C NKJ61Y-16I NKJ61Y-16P NKJ61Y-16R

公称口径 Nominal size	公称压力 Nominal pressure	外形尺寸 Overall dimensions														重量 Weight (kg)	
		(mm)															
DN(mm)	PN(MPa)	L1	L2	D	D1	D2	b	f	z-φ	Dn	A	B	H	H1	D0	RF	BW
15	1.6	130	140	95	65	45	14	2	4-14	12	18	36	245	260	120	7	6.5
20		150	152	105	75	55	14	2	4-14	18	25	44	265	285	140	7.5	7
25		160	165	115	85	65	14	2	4-14	25	32	44	270	295	160	9	8.5
32		180	184	135	100	78	16	2	4-18	31	38	48	285	315	180	11	10.5
40		200	203	145	110	85	16	3	4-18	38	45	55	300	330	200	18	17
50		230	229	160	125	100	16	3	4-18	49	57	64	355	390	240	25	23
65		290	279	180	145	120	18	3	4-18	66	73	82	415	455	280	32	29
80		310	318	195	160	135	20	3	8-18	78	89	94	425	470	280	41	38
100		350	368	215	180	155	20	3	8-18	96	108	117	470	520	320	58	54
125		400	-	245	210	185	22	3	8-18	121	133	144	500	555	360	80	75
150	480	470	280	240	210	24	3	8-23	146	159	175	570	650	400	101	90	

● 主要外形尺寸及重量 Main size of outside & weight

NKJ41H-25C NKJ41Y-25I NKJ41Y-25P NKJ41Y-25R NKJ61H-25C NKJ61Y-25I NKJ61Y-25P NKJ61Y-25R

公称口径 Nominal size	公称压力 Nominal pressure	外形尺寸 Overall dimensions														重量 Weight (kg)	
		(mm)															
DN(mm)	PN(MPa)	L1	L2	D	D1	D2	b	f	z-d	Dn	A	B	H	H1	D0	RF	BW
15	2.5	130	152	95	65	45	16	2	4-14	12	18	36	245	260	120	7	6.5
20		150	178	105	75	55	16	2	4-14	18	25	44	265	285	140	8	7.5
25		160	203	115	85	65	16	2	4-14	25	32	44	270	295	160	10	9.5
32		180	216	135	100	78	18	2	4-18	31	38	48	285	315	180	11	10.5
40		200	229	145	110	85	18	3	4-18	38	45	55	300	330	200	18	17
50		230	267	160	125	100	20	3	4-18	49	57	64	355	390	240	25	23
65		290	292	180	145	120	22	3	8-18	66	73	82	415	455	280	35	33
80		310	318	195	160	135	22	3	8-18	78	89	94	425	470	280	50	46
100		350	356	230	190	160	24	3	8-23	96	108	117	470	520	320	65	59
125		400	400	270	220	188	28	3	8-25	121	133	144	500	555	360	100	90
150	480	444	300	250	218	30	3	8-25	146	159	175	570	650	400	135	120	



●主要外形尺寸及重量 Main size of outside & weight

NKJ41H-25C NKJ41Y-25I NKJ41Y-25P NKJ41Y-25R NKJ61H-25C NKJ61Y-25I NKJ61Y-25P NKJ61Y-25R

公称口径 Nominal size	公称压力 Nominal pressure	外形尺寸 Overall dimensions																重量 Weight (kg)	
		(mm)																	
DN(mm)	PN(MPa)	L1	L2	D	D1	D2	b	D6	f2	f	z-d	Dn	A	B	H	H1	D0	RF	BW
15	4.0	130	152	95	65	45	16	40	4	2	4-14	12	18	44	245	260	120	7	6.5
20		150	178	105	75	55	16	51	4	2	4-14	18	25	44	255	285	140	8	7.5
25		160	203	115	85	65	16	58	4	2	4-14	25	32	48	270	295	160	10	9.5
32		180	216	135	100	78	18	66	4	2	4-18	31	38	50	270	300	180	12	11
40		200	229	145	110	85	18	76	4	3	4-18	38	45	55	300	340	200	20	18
50		230	267	160	125	100	20	88	4	3	4-18	49	57	66	355	390	240	27	25
65		290	292	180	145	120	22	110	4	3	8-18	66	73	82	410	455	280	38	35
80		310	318	195	160	135	22	121	4	3	8-18	78	89	96	425	470	320	52	46
100		350	356	230	190	160	24	150	4.5	3	8-23	96	108	117	470	530	360	68	58
125		400	400	270	220	188	28	176	4.5	3	8-25	121	133	144	500	570	400	104	94
150		480	444	300	250	218	30	204	4.5	3	8-25	146	159	175	570	650	400	140	125
200		600	559	375	320	282	38	260	4.5	3	12-30	202	219	232	690	780	400	190	170

●主要外形尺寸及重量 Main size of outside & weight

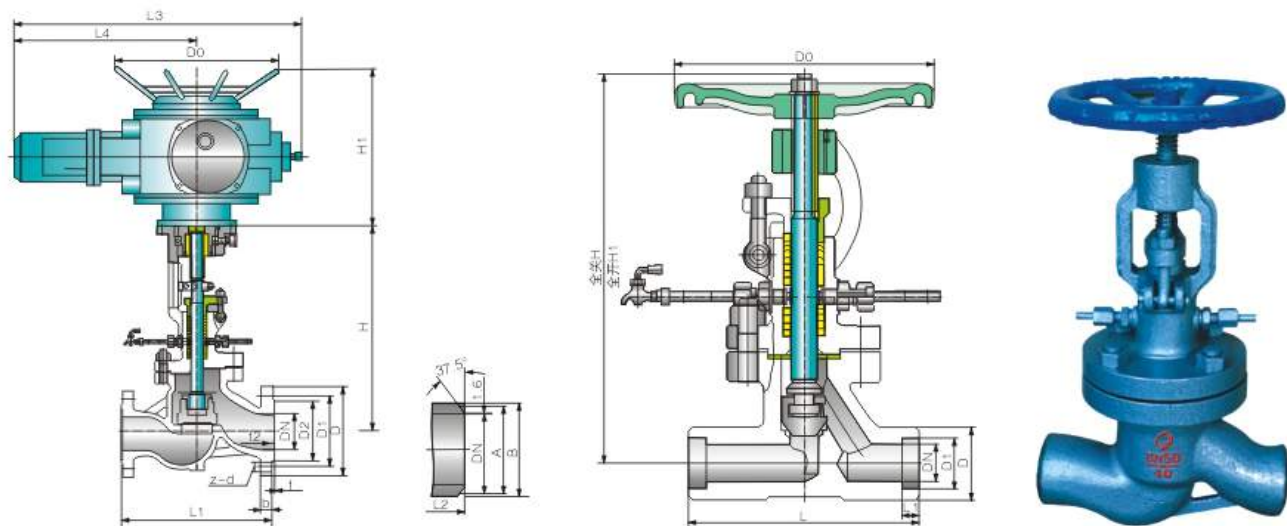
NKJ41H-64C NKJ41Y-64I NKJ41Y-64P NKJ41Y-64R NKJ61H-64C NKJ61Y-64I NKJ61Y-64P NKJ61Y-64R

公称口径 Nominal size	公称压力 Nominal pressure	外形尺寸 Overall dimensions																重量 Weight (kg)	
		(mm)																	
DN(mm)	PN(MPa)	L1	L2	D	D1	D2	b	D6	f2	f	z-d	Dn	A	B	H	H1	D0	RF	BW
15	6.4	170	165	105	75	55	18	40	4	2	4-14	12	18	44	245	260	140	7	6.5
20		190	190	125	90	68	20	51	4	2	4-18	18	25	44	270	290	160	8	7.5
25		210	216	135	100	78	22	58	4	2	4-18	25	32	48	290	315	180	10	9.5
32		230	229	150	110	82	24	66	4	2	4-23	31	38	50	330	360	200	15	14
40		260	241	165	125	95	24	76	4	3	4-23	37	45	55	375	405	240	30	27
50		300	292	175	135	105	26	88	4	3	4-23	47	57	66	405	440	280	48	42
65		340	330	200	160	130	28	110	4	3	8-23	64	73	82	435	465	320	65	59
80		380	356	210	170	140	30	121	4	3	8-23	77	89	96	470	515	360	92	82
100		430	406	250	200	168	32	150	4.5	3	8-25	94	108	117	540	590	400	125	108
125		500	456	295	240	202	36	176	4.5	3	8-30	118	133	150	720	795	400	153	130
150		550	495	340	280	240	38	204	4.5	3	8-34	142	159	175	840	920	450	210	170

●主要外形尺寸及重量 Main size of outside & weight

NKJ41H-100C NKJ41Y-100I NKJ41Y-100P NKJ41Y-100R NKJ61H-100C NKJ61Y-100I NKJ61Y-100P NKJ61Y-100R

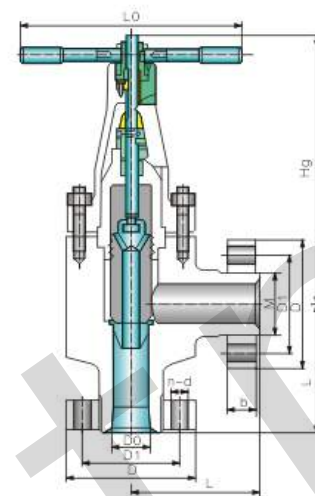
公称口径 Nominal size	公称压力 Nominal pressure	外形尺寸 Overall dimensions																重量 Weight (kg)	
		(mm)																	
DN(mm)	PN(MPa)	L1	L2	D	D1	D2	b	D6	f2	f	z-d	Dn	A	B	H	H1	D0	RF	BW
15	10.0	170	165	105	75	55	20	40	4	2	4-14	12	18	44	245	260	140	7	6.5
20		190	190	125	90	68	22	51	4	2	4-18	18	25	48	270	290	160	9	8.5
25		210	216	135	100	78	24	58	4	2	4-18	25	32	48	290	315	180	13.5	13
32		230	229	150	110	82	24	66	4	2	4-23	31	38	55	330	360	200	25	23
40		260	241	165	125	95	26	76	4	3	4-23	37	45	60	375	405	240	30	27
50		300	292	195	145	112	28	88	4	3	4-25	45	57	66	405	440	280	50	44
65		340	330	220	170	138	32	110	4	3	8-25	62	73	90	435	465	320	70	60
80		380	356	230	180	148	34	121	4	3	8-25	75	89	96	470	515	400	95	82
100		430	432	265	210	172	38	150	4.5	3	8-30	92	108	117	540	590	450	130	115
125		500	508	310	250	210	42	176	4.5	3	8-34	112	133	150	720	795	500	160	135
150		550	559	350	290	250	46	204	4.5	3	12-34	136	159	175	840	920	550	310	260



● 主要外形尺寸及重量 Main size of outside & weight

公称口径 DN(mm)	主要尺寸及连接尺寸 Overall dimensions(mm)							重量 Weight(kg)
	L	D	D1	α	L1	H	Do	
DS/J61H-25 DS/J61Y-25I								
10	130	36	18.5	-	-	256	120	4.8
15	130	36	22.5	-	10	257	120	5.0
20	150	44	28.5	-	10	267	140	7.3
25	160	44	34.5	-	11	269	140	8.2
32	180	48	34	30° 30'	12	255	180	12
40	200	55	40	30° 30'	-	295	200	15
50	230	64	48	30° 30'	-	354	250	25
65	290	82	66	30° 30'	-	400	250	38.5
80	310	94	78	30° 30'	-	425	300	49
100	350	117	100	30° 30'	-	468	350	64
125	400	144	126	30° 30'	-	475	400	83
150	480	170	150	30° 30'	-	611	400	94
200	600	220	202	30° 30'	-	721	400	152
DS/J61H-40 DS/J61Y-40I								
10	130	38	18.4	-	10	255	120	5.3
15	130	38	22.5	-	10	257	120	5.7
20	150	47	28.5	-	11	267	140	7.6
25	160	47	34.5	-	12	270	160	8.8
32	180	53	34	30° 30'	-	257	160	13.2
40	200	57	40	30° 30'	-	297	200	16.5
50	230	68	48	30° 30'	-	354	250	26
65	290	85	66	30° 30'	-	405	280	41.3
80	310	98	78	30° 30'	-	427	320	51.5
100	350	122	100	30° 30'	-	470	350	69
125	400	148	124	30° 30'	-	475	400	89
150	480	176	148	30° 30'	-	614	400	98
DS/J61H-64 DS/J61Y-64I								
10	130	38	18.4	-	10	255	140	6
15	130	38	22.5	-	10	257	140	6.4
20	150	47	28.5	-	11	269	160	8.4
25	160	47	34.5	-	12	273	180	9.6
32	180	53	33	30° 30'	-	259	200	23
40	260	57	39	30° 30'	-	297	250	34
50	300	70	48	30° 30'	-	356	280	46
65	340	86	65	30° 30'	-	405	320	67
80	380	100	76	30° 30'	-	429	360	85
100	430	124	98	30° 30'	-	477	400	97

J₄₇Y-160C、320C
L₄₇W-220R、320R (DN65-200)



● 主要零件材料 Major parts material form

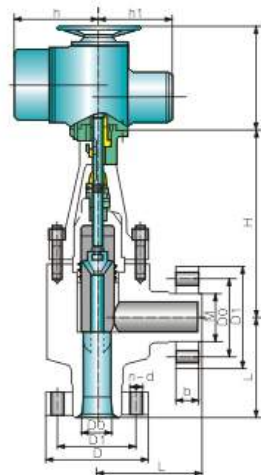
零件名称 Part name	344Y-160、320C		344W-220、320R	
	材料名称及标准牌号 Name and standard grade material	材料名称及标准牌号 Name and standard grade material	材料名称及标准牌号 Name and standard grade material	材料名称及标准牌号 Name and standard grade material
阀体 Body	优质碳 High-quality carbon GB699-88 35	尿素及不锈钢 Urea and stainless steel GB1220-92 00Cr17Ni14Mo2	尿素及不锈钢 Urea and stainless steel GB1220-92 00Cr17Ni14Mo2	尿素及不锈钢 Urea and stainless steel GB1220-92 00Cr17Ni14Mo2
阀座 Seat	25钢阀座堆焊 Surfacing steel valve seats Stellite6 合金 Alloy	同太立合金 Alloys with too much legislation (Stellite6 号)	同太立合金 Alloys with too much legislation (Stellite6 号)	同太立合金 Alloys with too much legislation (Stellite6 号)
阀瓣 Disc	铬钢 Chrome steel GB1220-92 2Cr13	尿素及不锈钢 Urea and stainless steel GB1220-92 00Cr17Ni14Mo2	尿素及不锈钢 Urea and stainless steel GB1220-92 00Cr17Ni14Mo2	尿素及不锈钢 Urea and stainless steel GB1220-92 00Cr17Ni14Mo2
阀杆 Stem	铬钢 Chrome steel GB1220-92 2Cr13	尿素及不锈钢 Urea and stainless steel GB1220-92 00Cr17Ni14Mo2	尿素及不锈钢 Urea and stainless steel GB1220-92 00Cr17Ni14Mo2	尿素及不锈钢 Urea and stainless steel GB1220-92 00Cr17Ni14Mo2
阀盖 Bonnet	铸钢 Chrome steel GB1220-92 ZQ275-485H	铸钢 Steel Castings GB7659-87 ZG275-485H	铸钢 Steel Castings GB7659-87 ZG275-485H	铸钢 Steel Castings GB7659-87 ZG275-485H
阀杆螺母 Valve stem nut	奥氏体铸铁 Austenitic cast iron ASTM A439-83 D-2	奥氏体铸铁 Austenitic cast iron ASTM A439-83 D-2	奥氏体铸铁 Austenitic cast iron ASTM A439-83 D-2	奥氏体铸铁 Austenitic cast iron ASTM A439-83 D-2
平衡套 Balanced package	铬钢 Chrome steel GB1220-92 2Cr13	尿素及不锈钢 Urea and stainless steel GB1220-92 00Cr17Ni14Mo2	尿素及不锈钢 Urea and stainless steel GB1220-92 00Cr17Ni14Mo2	尿素及不锈钢 Urea and stainless steel GB1220-92 00Cr17Ni14Mo2
O型圈 O-ring	四氟 F-4	四氟 F-4	四氟 F-4	四氟 F-4
挡圈 Dang quan	四氟 F-4	四氟 F-4	四氟 F-4	四氟 F-4
法兰 Flange	优质碳 High-quality carbon GB699-88 35	优质碳 High-quality carbon GB699-88 35	优质碳 High-quality carbon GB699-88 35	优质碳 High-quality carbon GB699-88 35
拧入螺母 Pinch nut	合金钢 Alloy Steel GB3077-88 35CrMn	合金钢 Alloy Steel GB3077-88 35CrMn	合金钢 Alloy Steel GB3077-88 35CrMn	合金钢 Alloy Steel GB3077-88 35CrMn
螺母 Nut	合金钢 Alloy Steel GB3077-88 20CrMn	合金钢 Alloy Steel GB3077-88 20CrMn	合金钢 Alloy Steel GB3077-88 20CrMn	合金钢 Alloy Steel GB3077-88 20CrMn
手轮 Handwheel	球墨铸铁 Ductile iron GB13488-88 QT400-18	球墨铸铁 Ductile iron GB13488-88 QT400-18	球墨铸铁 Ductile iron GB13488-88 QT400-18	球墨铸铁 Ductile iron GB13488-88 QT400-18

● 主要外形尺寸及重量 Main size of outside & weight

J ₄₇ Y-160C		J ₄₇ W-220R										
DN (mm)	L	D	D1	D0	b	n-d	M	Hg	Hk	L0	重量 Weight (kg)	
65	215	200	145	61	40	6-φ29	M80×3	435	485	440	125	
80	260	225	170	74	50	6-φ33	M100×3	540	600	440	171	
100	290	260	195	93	60	6-φ36	M125×4	575	645	440	210	
125	320	300	235	119	75	8-φ39	M155×4	650	720	550	490	
150	390	330	255	136	78	8-φ42	M175×4	720	790	650	567	
200	455	425	350	193	95	8-φ48	M240×6	865	940	650	681	

J ₄₇ Y-320C		J ₄₇ W-320R										
DN (mm)	L	D	D1	D0	b	n-d	M	Hg	Hk	L0	重量 Weight (kg)	
65	215	225	170	68	50	6-φ33	M100×3	435	485	440	171	
80	260	260	195	85	60	6-φ36	M125×4	540	600	440	210	
100	290	300	235	103	75	8-φ39	M155×4	575	645	440	396	
125	320	330	255	120	78	8-φ42	M175×4	650	720	550	490	
150	390	400	315	149	90	8-φ48	M215×6	720	790	650	567	
200	455	480	380	193	120	8-φ55	M285×6	1030	1110	650	727	

J_L947_WY-320 160C、320C
220R、320R (DN65-200)



● 技术条件 Technical conditions

制造、检查、验收按JB/T450-92标准规定。
Construction, inspection and acceptance by JB/T450-92 the standard requirements.

● 用途 Use

本电动角式平衡截止、节流阀，适用于高压合成氨及尿素电动角式平衡截止、节流阀，适用于高压合成氨及尿素装置的工艺管道上，做开启和关闭及调节流量用，如不用法兰可改为对焊（远距离和高处电动，也可手动）
The closing balance of electric angle, throttle, applies to high-pressure ammonia and urea electrical angle of the cut-off balance, throttle and apply in the high-pressure ammonia and urea plant of the pipeline, to open and close with and regulate traffic, such as do not have to be welded flange (Long-distance and height of electric, manual)

● 产品性能规范 Products performance specification

型号 Type	公称压力 Mpa Nominal pressure	试验压力 MPa Test pressure		工作压力 Work pressure (MPa)	适用温度/℃ Applicable temperature	适用介质 Applicable medium
		强度 Strength	密封 Seal			
J _L 947 _Y 160C 320C	16 32	24 48	17.6 35.2	16 32	≤-30-260	C: 氨、氮、氢
J _L 947 _W 220R 320R	22 32	33 48	24.2 35.2	22 32	≤-200-260	R: 尿液甲铵液

● 主要零件材料 Major parts material form

零件名称 Part name	J _L 947Y-160、320C		J _L 947W-220、320R	
	材料名称及标准牌号 Name and standard grade material		材料名称及标准牌号 Name and standard grade material	
阀体 Body	优质碳 High-quality carbon	GB699-88 25	尿素及不锈钢 Urea and stainless steel	GB1220-92 00Cr17Ni14Mo2
阀座 Seat	优质钢堆焊合金 High quality steel alloy cladding	Stellite6 (司太立合金)	尿素及不锈钢堆焊 Stellite6 (司太立合金)	
阀瓣 Disc	铬不锈钢 Chromium stainless steel	GB1220-92 2Cr13	尿素级不锈钢 Urea and stainless steel	GB1220-92 00Cr17Ni14Mo2
平衡套 Balanced package	铬不锈钢 Chromium stainless steel	GB1220-92 2Cr13	尿素及不锈钢 Urea and stainless steel	GB1220-92 00Cr17Ni14Mo2
阀杆 Stem	铬不锈钢 Chromium stainless steel	GB1220-92 2Cr13	尿素及不锈钢 Urea and stainless steel	GB1220-92 2Cr13
开关螺杆 Switching screw	铬不锈钢 Chromium stainless steel	GB1220-92 2Cr13	奥氏体铸铁 Austenitic cast iron	ASTM A439-83 D-2
开关螺母 Switch Nut	奥氏体铸铁 Austenitic cast iron	ASTMA439-83 D-2	尿素及不锈钢 Urea and stainless steel	GB1220-92 00Cr17Ni14Mo2
阀盖 Bonnet	铸碳钢 Cast steel	GB7659-87 ZQ275-485H	铸碳钢 Cast steel	GB7659-87 ZG275-485H
O型圈 O-ring	四氟 日华卡7010	F-4	四氟 日华卡7010	F-4
挡圈 Dang quan	四氟 日华卡7010	F-4	四氟 日华卡7010	F-4
拧入螺母 Pinch nut	合金钢 Alloy Steel	GB3077-88 35CrMoA	合金钢 Alloy Steel	GB3077-88 35CrMoA
螺母 Nut	合金钢 Alloy Steel	GB3077-88 20CrMn	合金钢 Alloy Steel	GB3077-88 20CrMn
法兰 Flange	优碳钢 High-quality carbon	GB699-88 35	优碳钢 High-quality carbon	GB699-88 35
电动 Electrical	型号用户自定 Model Custom		型号用户自定 Model Custom	

● 主要外形尺寸及重量 Main size of outside & weight

J _L 47Y-160C		J _L 47W-220R										
DN (mm)	L	D	D1	D0	n-d	M	B	H	H1	h1	h	重量 Weight (kg)
65	215	200	145	61	6-φ29	M80×3	40	435	300	205	245	270
80	260	225	170	74	6-φ38	M100×3	50	435	300	205	245	300
100	290	260	195	93	8-φ39	M125×4	60	520	300	205	245	336
125	320	300	235	119	8-φ39	M155×4	75	585	300	205	245	598
150	390	330	255	136	8-φ42	M175×4	78	670	358	240	605	700
200	455	425	350	193	8-φ48	M240×6	95	840	430	350	640	840

J _L 47Y-320C		J _L 47W-320R										
DN (mm)	L	D	D1	D0	n-d	M	B	H	H1	h1	h	重量 Weight (kg)
65	215	225	170	65	6-φ33	M100×3	50	435	300	205	245	300
80	260	260	195	85	6-φ36	M125×4	60	435	300	205	245	350
100	290	300	235	103	8-φ39	M155×4	75	520	300	205	245	381
125	320	330	255	120	8-φ42	M175×4	78	585	300	205	245	700
150	390	400	315	149	8-φ48	M215×6	90	670	358	240	605	760
200	455	480	380	193	8-φ55	M285×6	120	960	560	350	640	952

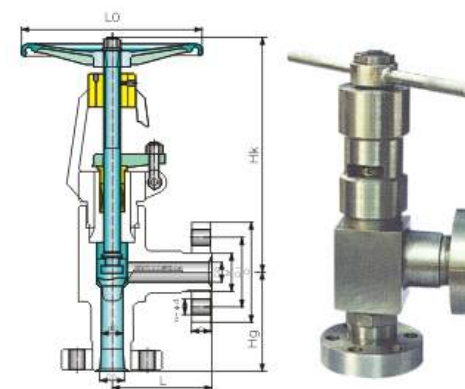
● 主要零件材料 Major parts material form

零件名称 Part name	材料名称及标准牌号 Name and standard grade material				
阀体、填料箱 Body, Packing	抗氢钢 Anti-hydrogen steel				
阀杆、开关螺杆 Stem, Switching screw	耐热钢 Heat-resistant steel	GB1591-88	10MnWVNB	12SiMoVNB	
连接套、套环、压环 Link sets, sets of Central, Central Pressure	耐热钢 Heat-resistant steel	GB1220-92		2Cr13	
开关螺母 Switch Nut	奥氏体铸铁 Austenitic cast iron	GB1220-92		2Cr13	
阀盖 Bonnet	合金钢 Alloy Steel	ASTM	A439-83	D-2	
填料 Packing	含石棉石墨不锈钢丝方盘根 Asbestos-containing graphite stainless steel wire Pan-gen	GB3077-88		35CrMoA	
拧入螺栓 Screw-bolts	合金钢 Alloy Steel			日华卡	No1345
螺母 Nut	合金钢 Alloy Steel	GB3077-88		35CrMoA	
蜗轮体及上盖 Worm and superstructure	球墨铸铁 Ductile iron	GB3077-88		20CrMoA	
曲轴蜗轮 Crankshaft Worm	合金钢 Alloy Steel	GB1348-88		QT500-7	
法兰 Flange	合金钢 Alloy Steel	GB3077-88		40Cr	
电动 Electrical	型号用户自定 Model Custom	GB3077-88		30CrMoA	

J_L944Y-220Nb

DN (mm)	L	D	D1	D0	b	M	Z-d	H	H1	φ	h1	h2	重量 Weight (kg)
100	290	300	235	103	75	M155×4	8-φ39	650	560	50	640	350	615
125	320	330	255	120	78	M175×4	8-φ42	720	400	610	688	459	730
150	390	400	315	148	90	M215×6	8-φ48	920	740	650	688	715	1290
200	455	480	380	193	120	M265×6	8-φ60	1035	740	688	688	715	1400

Z_L44Y-160、320C Z_L44W-220、320R (DN10-200)



● 技术条件 Technical conditions

制造、检查、验收按JB/T450-92或QB/2F001-98标准规定
Construction, inspection and acceptance by the standard requirements JB/T450-92 or QB/2F001-98

● 用途 Use

此阀门全国中小化肥厂高压合成氨及尿素工艺管道常用阀门而设计的因已往阀门以学发生泄外漏，此新型自密封角阀从根本上解决了内泄问题，管道压力温度越高，自密封性能就越好。
用户如在一个生产时期用此阀发生内泄外漏，供方负责运费和更换。
注：大于DN100口径的，如不采用蜗轮传动或电动，必须采用冲去手轮。
This valve training of the small and medium-sized fertilizer plants high-pressure ammonia and urea process valves and pipes commonly used for the design of a previous valve to vent Leakage, this new self-sealing Angle Valve fundamentally solve the problem of leakage in the pipeline pressure the higher the temperature, since the closure of sealed, the better.
If a user in the production of this fiscal period with valve leakage occurred in China, supply-side responsible for the freight and replacement
Note: more than DN100 calibre, if not a worm transmission or electric, heart-to be used to hand wheel.

● 产品性能规范 Products performance specification

型号 Type	公称压力 Mpa Nominal pressure	试验压力 MPa Test pressure		适用温度/℃ Applicable temperature	适用介质 Applicable medium
		强度 Strength	密封 Seal		
Z _L 44Y-160C 320C	16.0 32.0	17.6 48.0	24.0 35.2	C: ≤-30-260	C: 液氨、氨水及氮氢混合气
Z _L 44W-160R 320R	22.0 32.0	24.0 48.0	33.0 35.2	R: ≤-200-260	R: 尿液及甲胺液

● 主要零件材料 Major parts material form

零件名称 Part name	Z _L 44Y-160、320C		Z _L 44W-160、320C	
	材料名称及标准牌号 Name and standard grade material		材料名称及标准牌号 Name and standard grade material	
阀本、阀杆、阀瓣 Body, Stem, Disc	优质碳 High-quality carbon	GB699-88 25	不锈钢 Stainless Steel	GB1220-92 00Cr17Ni14Mo2
填料箱、自密封环 Packing boxes, sealed since the closure ring	不锈钢铬 Stainless steel chrome	GB1220-92 2Cr13	不锈钢 Stainless Steel	GB1220-92 00Cr17Ni14Mo2
填料压盖 Packing gland	优质碳钢 High-quality carbon steel	GB699-88 35	不锈钢铬 Stainless steel chrome	GB1220-92 2Cr13
阀杆螺母 Valve stem nut	奥氏体铸铁 Austenitic cast iron	ASTM A439 D-2	奥氏体铸铁 Austenitic cast iron	ASTM A439 D-2
支架 Yoke	铸碳钢 Carbon Steel	GB11352-89 ZG340-640	铸不锈钢 Cast stainless steel	GB2100-80 ZGCr18Ni12Mo2Ti
法兰 Flange	优质碳钢 High-quality carbon steel	GB699-88 35	优质碳钢 High-quality carbon steel	GB699-88 35
手轮 Handwheel	球墨铸铁 Ductile iron	GB1348-88 QT400-18	球墨铸铁 Ductile iron	GB1348-88 QT400-18

●主要外形尺寸及重量 Main size of outside & weight

Z _L ^J 44Y-160C		Z _L ^J 44Y-220R										
DN (mm)	L	d0	D0	D	D1	M	b	n-φd	L0	Hg	Hk	重量 Weight (kg)
10	90	10	12	95	60	M24×2	20	3-φ18	200	180	190	9.0
15	105	15	15	95	60	M24×2	20	3-φ18	200	190	195	10.0
25	120	20	23	105	68	M33×2	20	3-φ18	280	210	230	13.0
32	135	25	29	115	80	M42×2	22	4-φ18	280	230	255	15.0
40	165	35	39	165	115	M52×3	28	6-φ18	400	280	310	45.0
50	190	45	48	165	115	M64×3	32	6-φ26	480	300	340	65.0
65	215	55	60	200	145	M80×3	40	6-φ29	520	360	410	72.0
80	260	75	75	225	170	M100×3	50	6-φ33	520	480	540	135.0
100	290	85	93	260	195	M125×4	60	6-φ36	640	520	590	320.0
125	320	103	119	300	235	M155×4	75	8-φ39	640	600	690	380.0
150	320	125	136	330	255	M175×4	78	8-φ42	700	650	750	400.0
200	455	174	193	425	350	M240×6	95	8-φ48	750	750	900	460.0

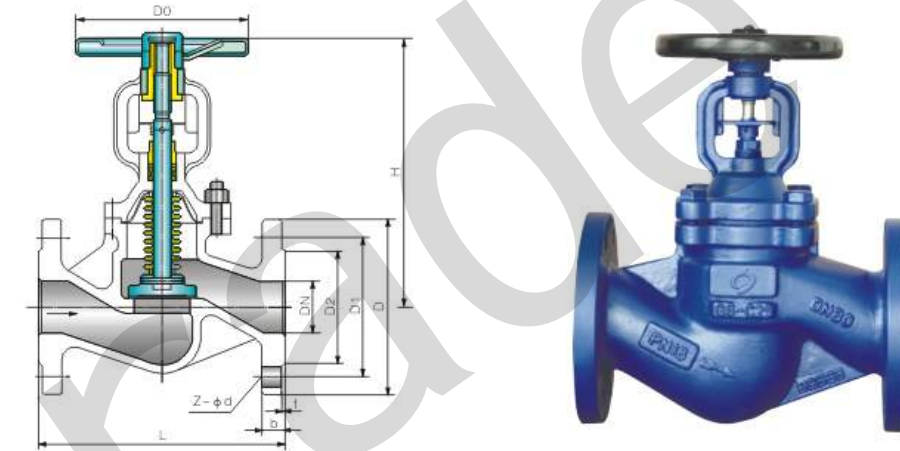
Z _L ^J 44Y-320C		Z _L ^J 44Y-320R										
DN (mm)	L	d0	D0	D	D1	M	b	n-φd	L0	Hg	Hk	重量 Weight (kg)
10	90	10	12	95	60	M24×2	20	3-φ18	200	180	180	10.0
15	105	15	15	105	68	M33×2	20	3-φ18	200	190	190	11.0
25	120	20	23	115	80	M42×2	22	4-φ18	280	210	230	15.0
32	135	25	29	135	95	M48×2	25	4-φ22	280	230	255	19.0
40	165	35	39	165	115	M64×3	32	6-φ26	400	280	310	50.0
50	190	45	48	200	145	M80×3	40	6-φ29	480	300	340	72.0
65	215	55	68	225	170	M100×3	50	6-φ33	520	360	410	80.0
80	260	75	85	260	195	M125×4	60	6-φ36	520	480	540	145.0
100	290	85	103	300	235	M155×4	75	8-φ39	640	520	590	360.0
125	320	103	119	330	255	M175×4	78	8-φ42	640	600	690	410.0
150	320	125	149	400	315	M215×6	95	8-φ48	700	650	750	480.0
200	455	174	193	480	380	M285×6	120	8-φ55	750	750	900	550.0

注：如不采用法兰连接，可直接在阀门进出管端加工坡口对焊，国外引进的大化肥尿素装置工艺管路全部采用对焊，它不但省掉法兰，透镜垫、螺栓螺母，主要消灭了泄漏点，不但节省了资金，也省去了检修不少麻烦，是确保全厂高压泄漏的最佳选择。

对焊阀门结构长度L：DN10 L60、D15 L80、DN25 L90、DN32 L100、DN40 L120、DN50 L140、DN65 L160 DN80 L180、DN100 L200、DN125 L220、DN150 L220、DN200 L260

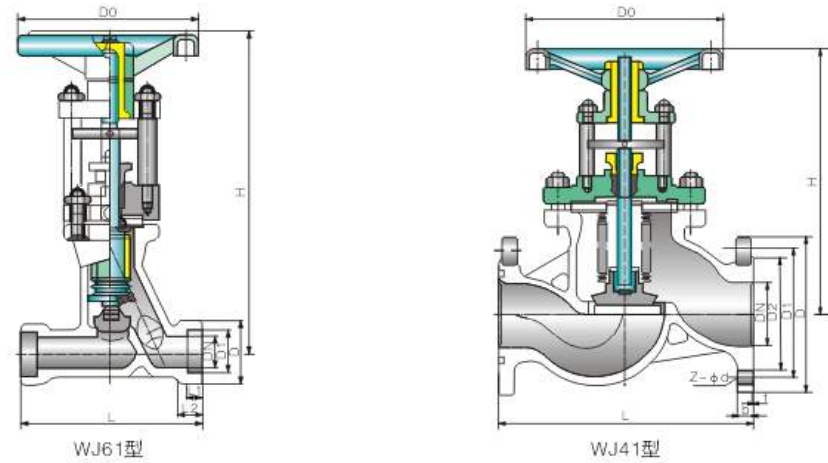
Note: do not use flange connection, can be directly in and out of the valve-processing groove welding, imported the largest fertilizer urea plant of welded pipe used all, it will not only save flange, the lens pad, Lo Bolt nuts, mainly to eliminate the leakage point, not only saving money, but also save a lot of trouble overhaul is to ensure that all members of the plant the best choice for high-pressure leak.

Valves welded structure length L: DN10 L60, D15 L80, DN25 L90, DN32 L100, DN40 L120, DN50 L140, DN65 L160 DN80 L180, DN100 L200, DN125 L220, DN150 L220, DN200 L260



●主要外形尺寸及重量 Main size of outside & weight

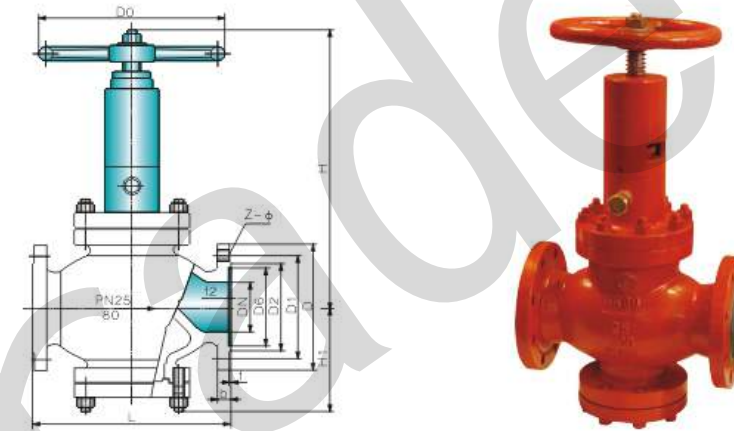
DN (mm)	L	D	D1	D2	b	f	Z-φd	H	H1	D0	WT(Kg)	
		DIN/WJ41H-16C				DIN/WJ41W-16P						
15	130	95	65	45	16	2	4-φ14	191	197	120	5	
20	150	105	75	58	18	2	4-φ14	191	197	140	7	
25	160	115	85	68	18	2	4-φ14	197	205	140	9	
32	180	140	100	78	18	2	4-φ18	200	208	160	12	
40	200	150	110	88	18	3	4-φ18	218	231	200	16	
50	230	165	125	102	20	3	4-φ18	220	233	200	19	
65	290	185	145	122	18	3	4-φ18	238	254	240	23	
80	310	200	160	138	20	3	8-φ18	257	277	240	30	
100	350	220	180	158	20	3	8-φ18	340	365	320	42	
125	400	250	210	188	22	3	8-φ18	360	392	360	63	
150	480	285	240	212	22	3	8-φ22	390	420	360	90	
200	600	340	295	268	24	3	12-φ22	530	580	500	150	
		DIN/WJ41H-25				DIN/WJ41W-25P						
15	130	95	65	45	16	2	4-φ14	191	197	120	5	
20	150	105	75	58	18	2	4-φ14	191	197	160	7	
25	160	115	85	68	18	2	4-φ14	197	205	160	9	
32	180	140	100	78	18	2	4-φ18	200	208	160	12	
40	200	150	110	88	18	3	4-φ18	218	231	200	19	
50	230	165	125	102	20	3	4-φ18	220	233	200	24	
65	290	185	145	122	22	3	8-φ18	238	254	280	33	
80	310	200	160	138	24	3	8-φ18	257	277	280	44	
100	350	235	220	162	24	3	8-φ22	340	365	320	60	
125	400	270	250	188	26	3	8-φ26	360	392	360	72	
150	480	300	295	218	28	3	8-φ26	390	430	360	98	
200	600	360	310	278	30	3	12-φ26	530	580	500	169	
		DIN/WJ41H-40				DIN/WJ41W-40P						
15	130	95	65	45	16	2	4-φ14	191	197	120	5	
20	150	105	75	58	18	2	4-φ14	191	197	160	7	
25	160	115	85	68	18	2	4-φ14	197	205	160	9	
32	180	140	100	78	18	2	4-φ18	200	208	160	12	
40	200	150	110	88	18	3	4-φ18	218	231	200	16	
50	230	165	125	102	20	3	4-φ18	220	233	200	23	
65	290	185	145	122	22	3	8-φ18	238	254	280	33	
80	310	200	160	138	24	3	8-φ18	257	277	280	45	
100	350	235	220	162	24	3	8-φ22	340	365	320	69	
125	400	270	250	188	26	3	8-φ26	360	392	360	98	
150	480	300	295	218	28	3	8-φ26	390	430	360	170	



● 主要外形尺寸及重量 Main size of outside & weight

DN (mm)	L	D	D1	L1	L2	H	D0	WT(Kg)
		WJ61H-16C WJ61H-25 WJ61H-40		WJ61W-16P WJ61W-25P WJ61W-40P				
15	110	34	22.5	10	18	214	22.5	1.9
20	130	40	28.5	11	18	242	28.5	2.3
25	140	48	34.5	12	20	245	34.5	3.4
32	160	56	43	14	22	296	43	5.2
40	180	64	49	15	25	337	49	7.3
50	230	85	61	18	28	342	61	10

DN (mm)	L	D	D1	D2	b	f	Z-φd	H	D0	WT(Kg)
		WJ41H-16C WJ41W-16P								
15	130	95	65	47	14	2	4-φ13.5	202	120	5
20	150	105	75	58	14	2	4-φ13.5	231	140	7
25	160	115	85	68	14	2	4-φ13.5	231	140	9
32	180	140	100	78	16	2	4-φ17.5	286	160	12
40	200	150	110	88	16	3	4-φ17.5	317	200	16
50	230	165	125	102	16	3	4-φ17.5	317	200	19
65	290	185	145	122	18	3	8-φ17.5	331	240	23
80	310	200	160	123	20	3	8-φ17.5	402	240	30
100	350	220	180	158	20	3	8-φ17.5	416	320	42
125	400	250	210	184	22	3	8-φ17.5	467	360	63
150	480	285	240	212	24	3	8-φ22	525	360	90
200	600	340	295	268	26	3	12-φ22	611	500	150
		WJ41H-25 WJ41W-25P								
15	130	95	65	47	16	2	4-φ13.5	202	120	5
20	150	105	75	58	16	2	4-φ13.5	231	160	7
25	160	115	85	68	16	2	4-φ13.5	231	160	9
32	180	140	100	78	18	2	4-φ17.5	286	160	12
40	200	150	110	88	18	3	4-φ17.5	317	200	19
50	230	165	125	102	20	3	4-φ17.5	317	200	24
65	290	185	145	122	22	3	8-φ17.5	331	280	33
80	310	200	160	133	22	3	8-φ17.5	402	280	44
100	350	235	190	158	24	3	8-φ22	416	320	60
125	400	270	220	184	28	3	8-φ26	467	360	72
150	480	300	250	212	30	3	8-φ26	525	360	98
200	600	360	310	278	30	3	12-φ27	611	500	169
		WJ41H-40 WJ41W-40P								
15	130	95	65	47	16	2	4-φ13.5	202	120	5
20	150	105	75	58	16	2	4-φ13.5	228	160	7
25	160	115	85	68	16	2	4-φ13.5	228	160	9
32	180	140	100	78	18	2	4-φ17.5	274	160	12
40	200	150	110	88	20	3	4-φ17.5	345	200	16
50	230	165	125	102	22	3	4-φ17.5	396	200	23
65	290	185	145	122	22	3	8-φ17.5	399	280	33
80	310	200	160	133	24	3	8-φ17.5	405	280	43
100	350	235	190	158	28	3	8-φ22	460	320	69

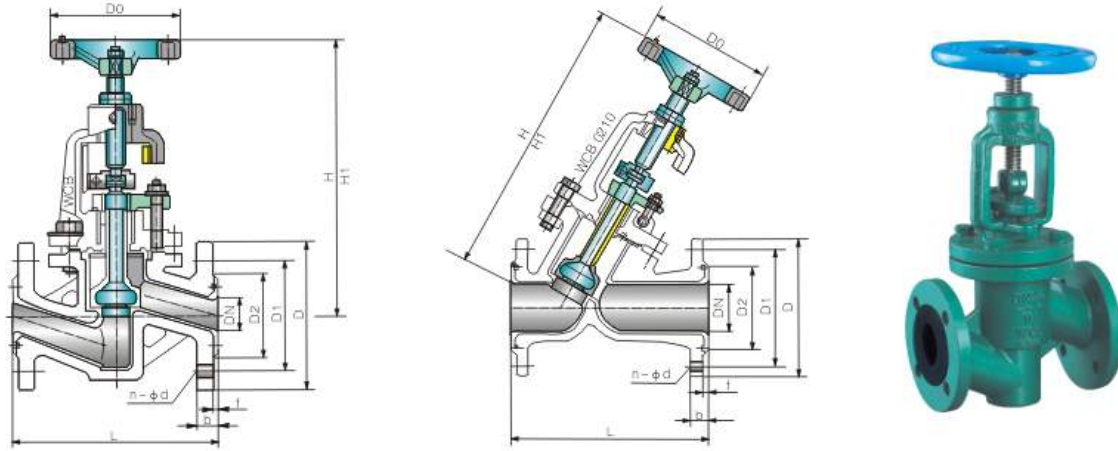


● 主要外形尺寸及重量 Main size of outside & weight

公称压力 PN	DN(mm)	25	40	50	80	100	150	200	250
1.6MPa	L	216	230	230	310	350	480	600	730
	H	243	265	346	409	484	521	594	621
	H1	86	108	115	146	163	202	292	355
	D0	180	250	250	300	300	350	350	400
	WT(Kg)	17	24	27	52	60	125	165	285
2.5MPa	L	216	230	230	310	350	480	600	730
	H	243	265	346	409	433	521	594	621
	H1	86	108	115	146	163	202	292	355
	D0	180	250	250	300	300	350	350	400
	WT(Kg)	17	24	27	55	66	140	180	310
4.0MPa	L	216	230	230	310	350	480	600	730
	H	243	265	346	409	433	521	594	621
	H1	86	108	115	146	163	202	292	355
	D0	180	250	250	300	300	350	350	400
	WT(Kg)	20	29	32	67	80	168	215	372
6.4MPa	L	216	230	230	310	350	480	600	730
	H	243	265	346	409	433	521	594	621
	H1	86	108	115	146	163	202	292	355
	D0	180	250	250	300	300	350	350	400
	WT(Kg)	20	29	32	67	80	168	315	372
10.0MPa	L	230	260	300	380	430	559	660	787
	H	245	265	287	409	433	531	709	817
	H1	78	106	110	152	169	225	321	399
	D0	200	250	300	350	250	400	500	500
	WT(Kg)	29	42	55	95	120	240	310	530
16.0MPa	L	230	260	300	390	450			
	H	215	265	237	414	440			
	H1	78	105	110	155	175			
	D0	200	250	300	350	350			
	WT(Kg)	35	50	65	116	145			

注：法兰连接尺寸见P30-31无导流孔平板闸阀
Note: flange connection size see no diversion P30 - 31 - valve flat

Class300 Class400 W Js45Y, W Js545Y, W Js945Y



● 产品采用标准 Technical specification

设计规范 Design Spec.	结构长度 Face to Face	连接法兰 Flange End	试验与检验 Test & Check	产品标识 Marking	供货规范 Supply
GB/T 12233 (GB/T 12235)	GB/T 12221	JB/T 78; JB/T 79	GB/T 13927	GB/T 12220	JB/T 7928

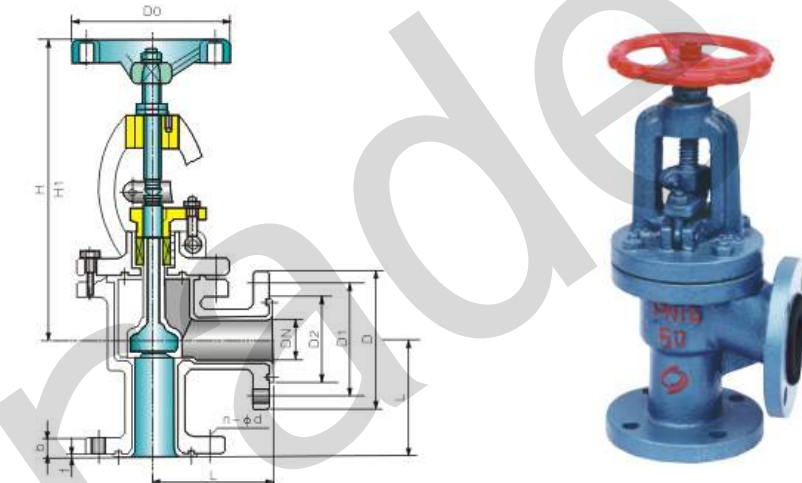
● 产品性能规范 Products performance specification

衬里/阀座 Lining /seat	代号 Code	适用温度℃ Suitable Temperature℃	适用介质 Suitable medium
PTFE(F4)	F4	≤180	除熔融碱金属, 元素氟外的各种浓度的酸、碱、盐、王水、有机酸等强腐蚀性介质。 All kinds of acid, alkali, salt, aqua regia, organic acid etc strong corrosive medium except molten alkali metals and element fluorine.
PCTFE(F3)	F3	≤120	
FEP(F46)	F46	≤150	
PFA(可溶性F4)	FA	≤180	
PVDF(F2)	F2	≤100	
RPTFE(RF4)	FR4	≤180	

● 主要零件材料 Major parts material form

零件名称 Part Name	灰铸铁 Gray cast iron	铸钢 cast steel	不锈钢耐酸铸钢 stainless acid resistant cast steel		超低碳不锈钢耐酸铸钢super-low -stainless acid resistant cast steel	
	Z	C	P	R	PL	RL
阀体/阀盖 Body/Cover	HT250	WCB	CF8	CF8M	CF3	CF3M
阀瓣/阀杆 Disc/stem	35	2Cr13	1Cr18Ni9	1Cr18Ni12Mo2Ti	00Cr18Ni10	00Cr17Ni14Mo2
衬里/阀座 Lining /seat	PTFE(F4), PCTFE(F3), FEP(F46), PFA(可溶性F4)					
填料压盖 Packing cover	WCB		CF8	CF8M	CF3	CF3M
填料 Packing	PTFE(F4)		PTFE(F4)		PTFE(F4)	
活节螺栓 Eyelet bolt	35		1Cr17Ni2		1Cr17Ni2	
阀杆螺母 Stem nut	ZCuAl10Fe3		ZCuAl10Fe3		ZCuAl10Fe3	
紧固螺栓 Clamp bolt	35		1Cr17Ni2		1Cr18Ni9Ti	
螺母 Nut	45		0Cr18Ni9		0Cr18Ni9	
手轮 Hand wheel	WCB		WCB		WCB	

JG41FX JG45FX



● 产品采用标准 Technical specification

设计规范 Design Spec.	结构长度 Face to Face	连接法兰 Flange End	试验与检验 Test & Check	产品标识 Marking	供货规范 Supply
GB/T 12233 (GB/T 12235)	GB/T 12221	JB/T 78 JB/T 79	GB/T 13927	GB/T 12220	JB/T 7928

● 主要外形尺寸及重量 Main size of outside & weight

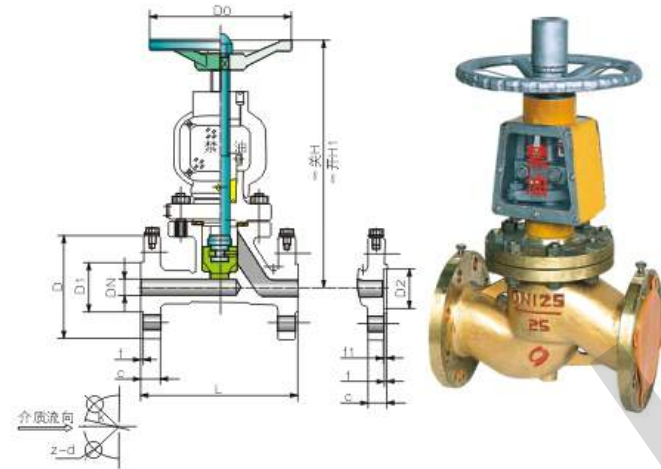
DN (mm)	NPS (inch)	L	D	D1	D2	f	b	n-φd	D0	H	H1	WT(Kg)
PN 1.0MPa												
15	1/2	65	95	65	45	2	14	4-φ14	100	240	265	7
20	3/4	75	105	75	55	2	16	4-φ14	100	245	270	7.5
25	1	80	115	85	65	2	16	4-φ14	120	250	275	8
32	1 1/4	95	135	100	78	2	18	4-φ18	120	260	290	12
40	1 1/2	100	145	110	85	3	18	4-φ18	140	290	325	14
50	2	115	160	125	100	3	20	4-φ18	140	300	335	19
65	2 1/2	145	180	145	120	3	20	4-φ18	160	355	400	27
80	3	155	195	160	135	3	22	4-φ18	160	400	450	42
100	4	175	215	180	155	3	22	8-φ18	180	455	495	50
125	5	200	245	210	185	3	24	8-φ18	180	530	560	64
150	6	240	280	240	210	3	24	8-φ23	240	605	650	85
200	8	275	335	295	265	3	26	8-φ23	240	650	770	105
250	10	325	390	350	320	3	28	12-φ23	280	680	800	135
300	12	375	440	400	368	4	28	12-φ23	280	710	835	155
PN 1.6MPa												
15	1/2	65	95	65	45	2	14	4-φ14	100	240	265	7
20	3/4	75	105	75	55	2	16	4-φ14	100	245	270	7.5
25	1	80	115	85	65	2	16	4-φ14	120	250	275	8.8
32	1 1/4	95	135	100	78	2	18	4-φ18	140	260	290	12
40	1 1/2	100	145	110	85	3	18	4-φ18	140	290	325	14
50	2	115	160	125	100	3	20	4-φ18	160	300	335	19
65	2 1/2	145	180	145	120	3	20	4-φ18	180	355	400	27
80	3	155	195	160	135	3	22	8-φ18	240	400	450	42
100	4	175	215	180	155	3	24	8-φ18	240	455	495	50
125	5	200	245	210	185	3	26	8-φ18	280	530	560	64
150	6	240	280	240	210	3	28	8-φ23	320	605	650	85
200	8	275	335	295	265	3	30	8-φ23	360	650	770	155
PN 2.5MPa												
15	1/2	65	95	65	45	2	16	4-φ14	120	245	270	7.5
20	3/4	75	105	75	55	2	16	4-φ14	120	250	275	8.5
25	1	80	115	85	65	2	16	4-φ14	140	260	290	11
32	1 1/4	95	135	100	78	2	18	4-φ18	140	290	325	13
40	1 1/2	100	145	110	85	3	18	4-φ18	160	300	335	18
50	2	115	160	125	100	3	20	4-φ18	180	355	400	31

● 氧气、氮气、氩气专用截止阀 Oxygen, nitrogen, argon dedicated globe valve

本产品系列设计的全铜或全不锈钢阀门。主要用于氧压机后的管网。
本系列产品根据口径的大小采用不同的结构：小口径为普通结构，大口径增设副阀瓣或旁通以平衡阀前后压差，减少启闭力矩。在制造是采用严格禁油措施，并且所有零件在安装前均进行严格的脱脂处理。所有口径阀门法兰端都设有导电螺孔，以防静电。
The design of the entire product line—wide stainless steel or copper valves. Mainly used for oxygen compressor after the pipe network.
This series of products based on the size of a path different from the structure: small path for the general structure, additional deputy Chase Drive valve or bypass around the pressure balance valve to reduce hoist torque. At manufacturing is the use of strict measures to ban oil, and all parts are pre-installed in a rigorous treatment of skim. Path valves all have a flange—conductive luokong to prevent static electricity.

● 主要零件材料 Major parts material form

零件名称 Part Name	材料 Materials	
阀体 Body	16~4 硅黄铜 Silicon brass	不锈钢 Stainless steel
阀盖 Bonnet	16~4 硅黄铜 Silicon brass	不锈钢 Stainless steel
阀瓣 Disc	16~4 硅黄铜 Silicon brass	不锈钢 Stainless steel
阀杆 Stem	不锈钢 Stainless steel	
支架 Yoke	铸钢 Steel Castings	不锈钢 Stainless steel
手轮 Handwheel	钢管 Steel pipe	
垫片、填料 Gasket/Packing	聚四氟乙烯 PTFE	



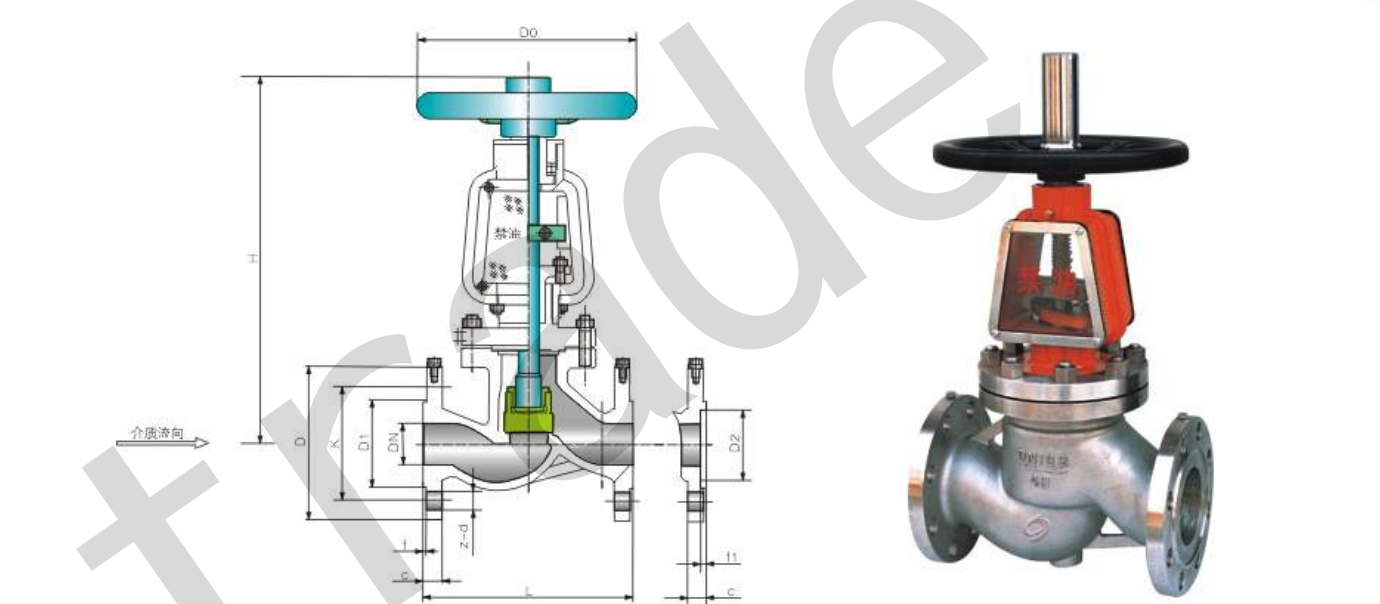
Jy41W型氧气专用截止阀 DN15~25 PN16~40
Jy41W of oxygen dedicated globe valve

● 主要性能规范 Main performance specifications

公称压力(MPa) Nominal rating pressure	1.6	2.5	4.0
水压强度试验压(MPa)Hydraulic pressure strength test	2.4	3.75	6.0
水压密封试验压(MPa)Test pressure hydraulic seal	1.76	2.75	4.4
气压强度试验压(MPa)Pneumatic pressure strength test	1.76	2.75	4.4
气压密封试验压(MPa)Sealing pressure test pressure	1.76	2.75	4.4
最大工作压力(MPa)Maximum working pressure	1.6	2.5	4.0
适用温度 Applicable temperature	-20~150℃		
适用介质 Applicable medium	氧气、氮气、空气等 Oxygen, nitrogen, air, etc.		

● 主要外形尺寸 Main size of outside

公称口径 DN(mm) Nominal dimeter	D0	D	D1	K	L	f	c	z-d	H	H1
15	120	95	45	65	130	2	14	4-φ14	233	245
20	140	105	55	75	150	2	14	4-φ14	230	256
25	140	115	65	85	160	2	14	4-φ14	310	325



● Jy41W-16P(T)型氧气、氮气、氩气专用截止阀 Oxygen, nitrogen, argon dedicated globe valve

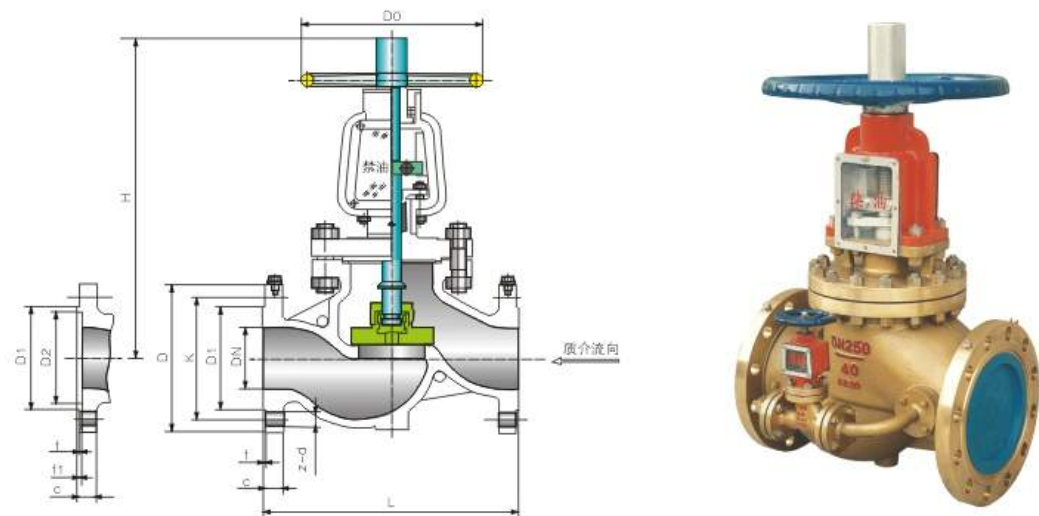
公称口径 DN(mm) Nominal dimeter	D0	D	D1	K	L	f	c	z-d	H
32	125	135	78	100	180	2	16	4-φ18	312
40	160	145	85	110	200	3	16	4-φ18	328
50	180	180	100	125	230	3	16	4-φ18	450
65	320	320	120	145	290	3	18	4-φ18	530
80	360	360	135	160	310	3	20	8-φ18	560
100	400	400	155	180	250	3	20	8-φ18	618
125	450	450	185	210	400	3	20	8-φ18	675

● Jy41W-25P(T)型氧气、氮气、氩气专用截止阀 Oxygen, nitrogen, argon dedicated globe valve

公称口径 DN(mm) Nominal dimeter	D0	D	D1	K	L	f	c	z-d	H	H1
15	120	95	45	65	130	2	16	4-φ14	233	245
20	140	105	55	75	150	2	16	4-φ14	230	256
25	140	115	65	85	160	2	16	4-φ14	310	325

● Jy41W-40P(T)型氧、氮气、氩气专用截止阀 Oxygen, nitrogen, argon dedicated globe valve

公称口径 DN(mm) Nominal dimeter	D0	D	D1	D2	K	L	f	f1	c	z-d	H	H1
15	120	95	45	40	65	130	2	4	16	4-φ14	233	245
20	140	105	55	51	75	150	2	4	16	4-φ14	230	256
25	140	115	65	58	85	160	2	4	16	4-φ14	310	325



● Jy41W-16P(T)型氧气、氮气、氩气专用截止阀 Oxygen, nitrogen, argon dedicated globe valve

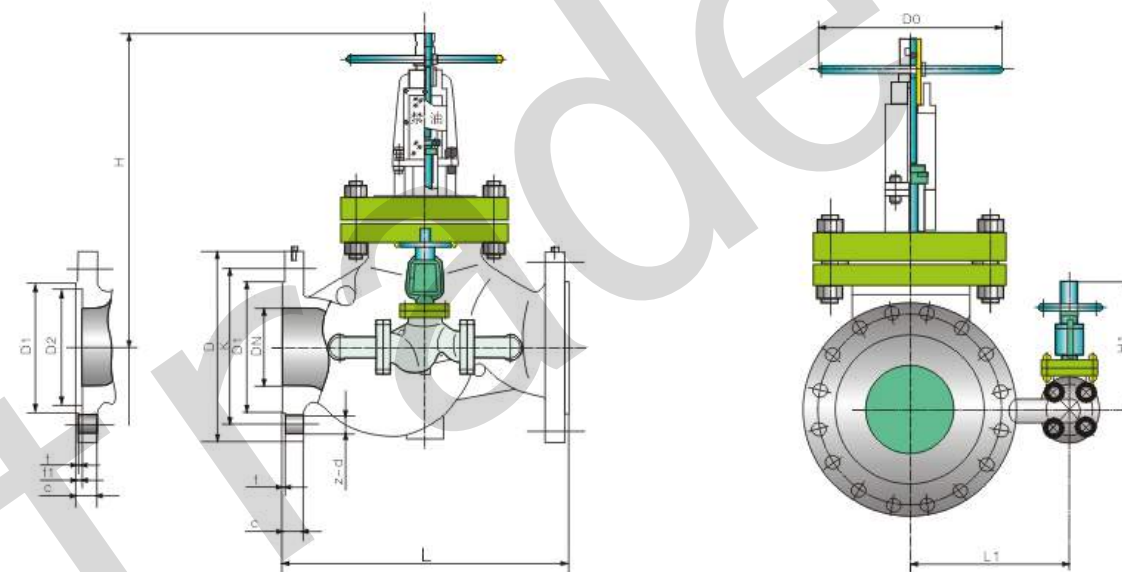
公称口径 DN(mm) Nominal diameter	D0	D	D1	K	L	f	c	z-d	H
150	450	280	210	240	480	3	24	8-φ23	743
200	450	335	295	295	600	3	26	12-φ23	850

● Jy41W-25P(T)型氧气、氮气、氩气专用截止阀 Oxygen, nitrogen, argon dedicated globe valve

公称口径 DN(mm) Nominal diameter	D0	D	D1	K	L	f	c	z-d	H
32	125	135	78	100	180	2	18	4-φ18	312
40	160	145	85	110	200	3	18	4-φ18	328
50	180	160	100	125	230	3	20	4-φ18	450
65	320	180	120	145	290	3	22	8-φ18	530
80	360	195	135	160	310	3	22	8-φ18	560
100	400	230	160	190	350	3	24	8-φ23	618
125	450	270	188	220	400	3	28	8-φ25	675

● Jy41W-40P(T)型氧气、氮气、氩气专用截止阀 Oxygen, nitrogen, argon dedicated globe valve

公称口径 DN(mm) Nominal diameter	D0	D	D1	D2	K	L	f	f1	c	z-d	H
32	125	135	78	66	100	180	2	4	18	4-φ18	312
40	160	145	85	76	110	200	3	4	18	4-φ18	328
50	180	160	100	88	125	230	3	4	20	4-φ18	450
65	320	180	120	110	145	290	3	4	22	8-φ18	530
80	360	195	135	121	160	310	3	4	22	8-φ18	560
100	400	230	160	150	190	250	3	4.5	24	8-φ23	618
125	450	270	188	176	210	400	3	4.5	28	8-φ25	675



● Jyk41W-16P(T)型氧气、氮气、氩气专用截止阀 Oxygen, nitrogen, argon dedicated globe valve

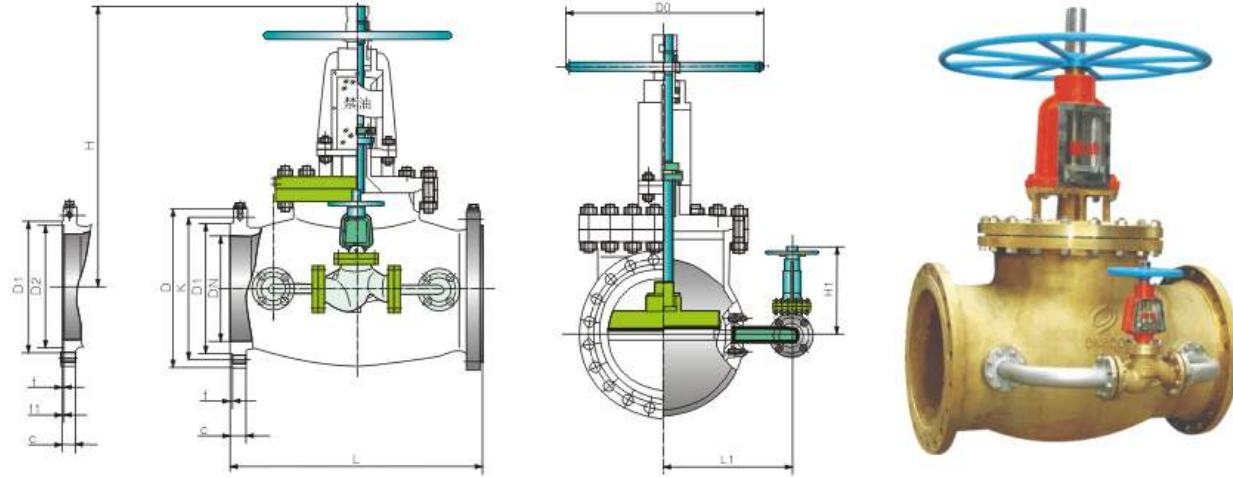
公称口径 DN(mm) Nominal diameter	D0	D	D1	K	L	L1	f	C	H	H1	z-d
250	640	405	640	355	650	350	3	30	975	310	12-φ25
300	720	460	720	410	750	400	4	30	1115	328	12-φ25
350	720	520	720	470	850	430	4	34	1225	328	16-φ25
400	720	580	720	525	950	460	4	36	1250	328	16-φ30

● Jyk41W-25P(T)型氧气、氮气、氩气专用截止阀 Oxygen, nitrogen, argon dedicated globe valve

公称口径 DN(mm) Nominal diameter	D0	D	D1	K	L	f	c	z-d	H
150	450	300	218	250	480	3	30	8-φ25	740
200	450	360	278	210	600	3	34	12-φ25	850

● Jyk41W-40P(T)型氧气、氮气、氩气专用截止阀 Oxygen, nitrogen, argon dedicated globe valve

公称口径 DN(mm) Nominal diameter	D0	D	D1	D2	K	L	f	f1	c	z-d	H
150	450	300	218	204	250	480	3	4.5	30	8-φ25	740
200	450	375	282	260	320	600	3	4.5	38	12-φ30	850



● Jyu41W-25P(T)型氧气、氮气、氩气专用截止阀 Oxygen, nitrogen, argon dedicated globe valve

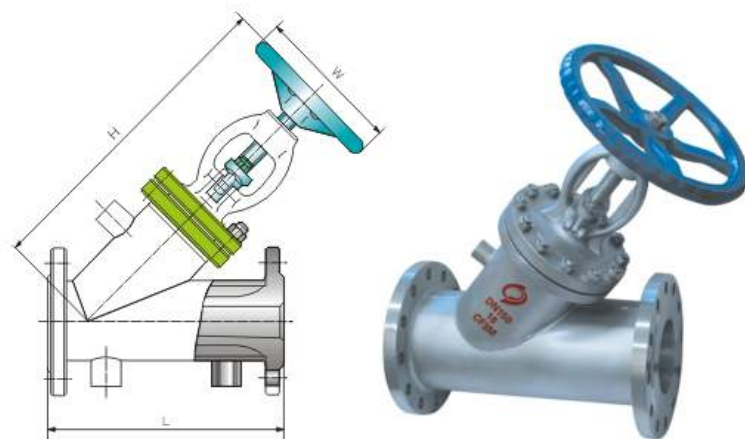
公称通径 Nominal diameter DN(mm)	D0	D	D1	K	L	L1	H	H1	f	C	z-d
250	640	425	332	370	650	350	975	310	3	36	12-φ30
300	720	485	390	430	750	400	1115	328	4	40	16-φ30
350	720	550	448	490	850	430	1225	328	4	44	16-φ34
400	720	610	505	550	950	460	1250	328	4	48	16-φ34

● Jyu41W-40P(T)型氧气、氮气、氩气专用截止阀 Oxygen, nitrogen, argon dedicated globe valve

公称通径 Nominal diameter DN(mm)	D0	D	D1	D2	K	L	L1	H	H1	f	f1	C	z-d
250	640	445	345	313	385	650	350	975	310	3	4.5	42	12-φ34
300	720	510	408	364	450	750	400	1115	328	4	4.5	46	16-φ34
350	720	570	465	422	510	850	430	1225	328	4	5	52	16-φ34
400	720	655	535	474	585	950	460	1250	328	4	5	58	16-φ41

● Jy541W-□P(T)型锥齿轮氧气专用截止阀 Bevel gear oxygendedicated globe valve

公称压力 (MPa) Nominal rating pressure	公称通径 DN(mm) Nominal diameter	D	D1	D2	K	L	L1	L2	f	f1	c	z-d	H	H1	H1
1.6	250	405	320	-	355	650	350	233	3	-	30	12-φ25	1140	1000	256
	300	460	375	-	410	750	400	233	4	-	30	12-φ25	1280	1200	256
	350	520	430	-	470	850	430	233	4	-	34	16-φ25	1380	1300	312
	400	580	485	-	525	950	460	306	4	-	36	16-φ30	1450	1320	328
	450	640	545	-	585	1050	560	306	4	-	40	20-φ30	1490	1350	328
	500	705	608	-	650	1150	580	370	4	-	44	20-φ34	1630	1460	450
2.5	600	840	718	-	770	1350	600	395	5	-	48	20-φ41	1750	1600	560
	250	425	332	-	370	650	350	233	3	-	36	12-φ30	1140	1060	256
	300	485	390	-	430	750	400	233	4	-	40	16-φ30	1280	1200	256
	350	550	448	-	490	850	430	233	4	-	44	16-φ34	1380	1300	312
	400	610	505	-	550	950	460	306	4	-	48	16-φ34	1450	1320	328
	450	660	555	-	600	1050	560	306	4	-	50	20-φ34	1490	1350	328
4.0	500	730	610	-	660	1150	580	370	4	-	52	20-φ41	1630	1460	450
	600	840	718	-	770	1350	600	395	5	-	56	20-φ41	1750	1600	560
	250	445	345	313	385	650	350	233	3	4.5	42	12-φ34	1140	1060	256
	300	510	408	364	450	750	400	233	4	4.5	46	16-φ34	1280	1200	256
	350	570	465	422	510	850	430	233	4	5	52	16-φ34	1380	1300	312
	400	655	535	474	585	950	460	306	4	5	58	16-φ41	1450	1320	328
4.0	450	680	560	524	610	1050	560	306	4	5	60	20-φ41	1490	1350	328
	500	755	612	576	670	1150	580	370	4	5	62	20-φ48	1630	1460	450
	600	890	730	678	795	1350	600	395	5	6	62	20-φ54	1750	1600	560



● 应用规范 Application norm

- 1、设计制造按GB12235-59
Design Manufacture According to GB12235-59
- 2、结构长度按GB12221-89
Face to Face According to GB12221-89
- 3、法兰尺寸按JB/T79-94
Flange Dimension According to JB/T79-94
- 4、阀门检查和试验按GB13927
Valve Check and Test According to Gb13927

● 结构 Structure

B.B; OS&Y
Characteristic: B.B; OS&Y

● 主要零件材料 Main parts and materials

零件名称 Item	ZG1Cr18Ni9Ti系列	ZG00Cr18Ni10系列	ZG1Cr18Ni12MO2Ti系列	ZG00Cr17Ni14MO2系列	WCB系列
阀体/阀盖 Body/cap	ZG1Cr18Ni9Ti	ZG00Cr18Ni10	ZG1Cr18Ni12MO2Ti	ZG00Cr17Ni14MO2	WCB
阀瓣 Disc	1Cr18Ni9Ti	00Cr18Ni10	1Cr18Ni12MO2Ti	00Cr17Ni14MO2	1Cr13
阀杆 Stem	1Cr18Ni9Ti	00Cr18Ni10	1Cr18Ni12MO2Ti	00Cr17Ni14MO2	1Cr13
填料 Packing	PTFE编织	PTFE编织	PTFE编织	PTFE编织	石墨 Graphite
垫片 Gasket	304+PTFE	304L+PTFE	316+PTFE	316L+PTFE	石墨+304 Graphite+304
压盖 Gland flange	ZG1Cr18Ni9Ti	ZG00Cr18Ni10	ZG1Cr18Ni12MO2Ti	ZG00Cr17Ni14MO2	WCB
填料压环 Stuffing ring	1Cr18Ni9Ti	00Cr18Ni10	1Cr18Ni12MO2Ti	00Cr17Ni14MO2	1Cr13
螺栓 Bolt	1Cr17Ni2	1Cr17Ni2	1Cr17Ni2	1Cr17Ni2	35CrMoA
螺母 Nut	1Cr18Ni9Ti	1Cr18Ni9Ti	1Cr18Ni9Ti	1Cr18Ni9Ti	45

● 主要外形尺寸及重量 Main size of outside & weight

尺寸 Dimension	DN	1.6MPa										
		15	20	25	32	40	50	65	80	100	125	150
L	mm	170	190	210	230	260	300	340	380	430	490	550
H	mm	250	292	340	348	360	410	440	540	560	625	720
W	mm	120	140	160	160	160	240	240	280	320	360	360
G	inch	3/8"	3/8"	3/8"	1/2"	1/2"	1/2"	1/2"	1/2"	1/2"	1/2"	1/2"

尺寸 Dimension	DN	2.5-4.0MPa										
		15	20	25	32	40	50	65	80	100	125	150
L	mm	170	190	210	230	260	300	340	380	430	490	550
H	mm	250	292	340	348	360	410	440	548	560	625	720
W	mm	120	140	160	160	160	240	240	280	320	360	360
G	inch	3/8"	3/8"	3/8"	1/2"	1/2"	1/2"	1/2"	1/2"	1/2"	1/2"	1/2"



● 应用规范 Application norm

- 1、设计制造按GB12235-59
Design Manufacture According to GB12235-59
- 2、结构长度按GB12221-89
Face to Face According to GB12221-89
- 3、法兰尺寸按JB/T79-94
Flange Dimension According to JB/T79-94
- 4、阀门检查和试验按GB13927
Valve Check and Test According to Gb13927

● 结构 Structure

B.B; OS&Y
Characteristic: B.B; OS&Y

● 主要零件材料 Main parts and materials

零件名称 Item	ZG1Cr18Ni9Ti系列	ZG00Cr18Ni10系列	ZG1Cr18Ni12MO2Ti系列	ZG00Cr17Ni14MO2系列	WCB系列
阀体/阀盖 Body/cap	ZG1Cr18Ni9Ti	ZG00Cr18Ni10	ZG1Cr18Ni12MO2Ti	ZG00Cr17Ni14MO2	WCB
阀瓣 Disc	1Cr18Ni9Ti	00Cr18Ni10	1Cr18Ni12MO2Ti	00Cr17Ni14MO2	1Cr13
阀杆 Stem	1Cr18Ni9Ti	00Cr18Ni10	1Cr18Ni12MO2Ti	00Cr17Ni14MO2	1Cr13
填料 Packing	PTFE编织	PTFE编织	PTFE编织	PTFE编织	石墨 Graphite
垫片 Gasket	304+PTFE	304L+PTFE	316+PTFE	316L+PTFE	石墨+304 Graphite+304
压盖 Gland flange	ZG1Cr18Ni9Ti	ZG00Cr18Ni10	ZG1Cr18Ni12MO2Ti	ZG00Cr17Ni14MO2	WCB
填料压环 Stuffing ring	1Cr18Ni9Ti	00Cr18Ni10	1Cr18Ni12MO2Ti	00Cr17Ni14MO2	1Cr13
螺栓 Bolt	1Cr17Ni2	1Cr17Ni2	1Cr17Ni2	1Cr17Ni2	35CrMoA
螺母 Nut	1Cr18Ni9Ti	1Cr18Ni9Ti	1Cr18Ni9Ti	1Cr18Ni9Ti	45

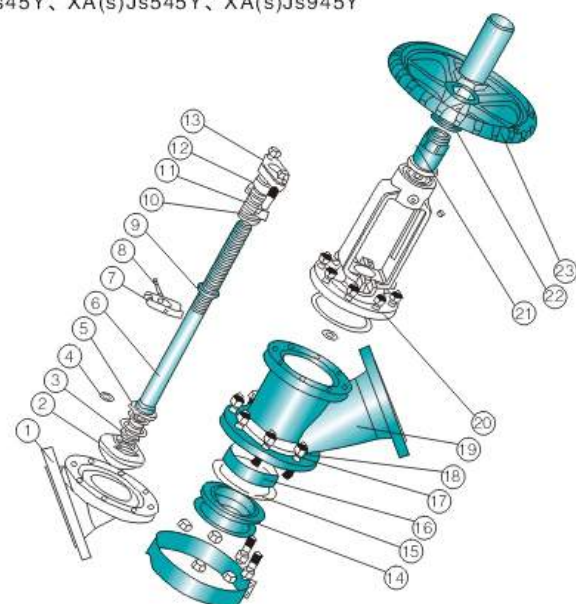
● 主要外形尺寸及重量 Main size of outside & weight

尺寸 Dimension	DN	1.6MPa																		
		15	20	25	32	40	50	65	80	100	125	150	200	250	300	350	400	450	500	600
L	mm	130	150	160	180	200	250	265	280	300	325	350	400	450	500	550	600	650	700	800
H	mm	175	180	210	210	350	358	373	435	500	614	674	818	1225	1415	1630	1780	2050	2181	2599
W	mm	180	180	200	200	200	240	240	280	320	360	360	400	450	500	500	600	720	720	720

尺寸 Dimension	DN	2.5MPa																		
		15	20	25	32	40	50	65	80	100	125	150	200	250	300	350	400	450	500	600
L	mm	130	150	160	180	200	250	265	280	300	325	350	400	450	500	550	600	650	700	800
H	mm	175	180	210	210	350	358	373	435	500	614	674	818	1225	1415	1630	1780	2050	2181	2599
W	mm	180	180	200	200	200	240	240	280	320	360	360	400	450	500	500	600	720	720	720

尺寸 Dimension	DN	4.0MPa																			
		15	20	25	32	40	50	65	80	100	125	150	200	250	300	350	400	450	500	600	
L	mm	130	150	160	180	200	250	280	310	350	400	450	550	650	750	850	950				
H	mm	175	180	210	210	350	358	373	435	500	614	674	818	1225	1415	1630	1780				
W	mm	180	180	200	200	200	240	240	280	320	360	360	400	450	500	500	600				

XA(s)Js45Y、XA(s)Js545Y、XA(s)Js945Y



● 技术规范 Technical specification

- 1、设计制造按：ASME B16.34(Class 150为缩径设计)
- 2、法兰端尺寸按：ASNE B16.5、GB/T9113.6
- 3、检验标准：API598

*注：国标PN2.0MPa Y型料浆阀技术规范同上述各项。

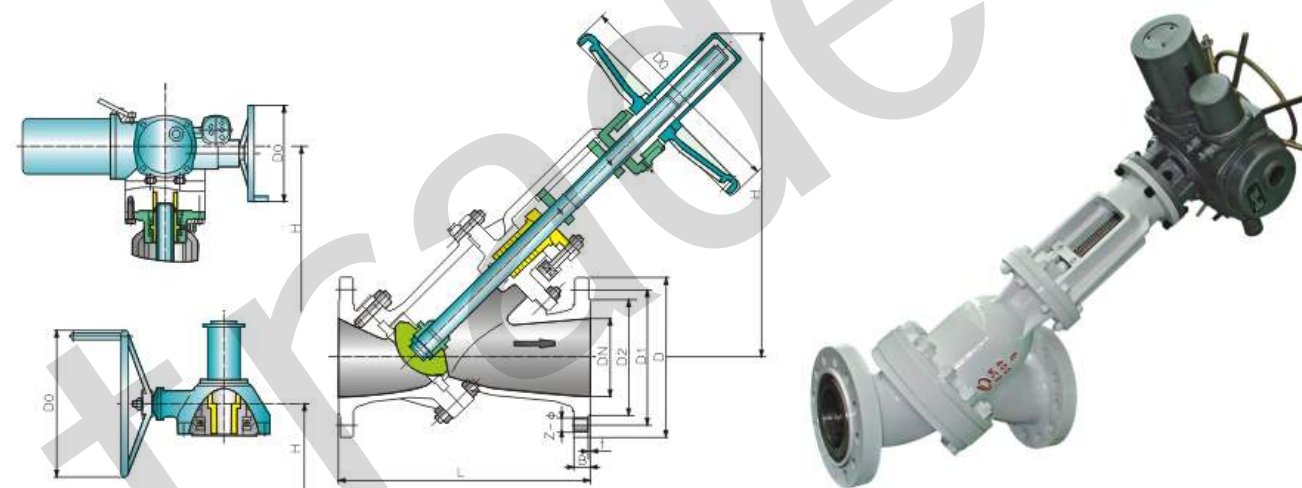
- 1、Design and production according to ASME B46.34 (reduced bore design about the products of Class 150)
- 2、The sizes of flang ends according to ASME B16.5、GB/T9113.6
- 3、Inspecting standard:API598

*Notes:The technical specifications for GB PN2.0MPa Y-type slurry valves are the same as the above.

● 主要零件材质表 Form of major parts materials

序号 NO.	零件名称 Accessory name	材质 Material
1	左体 Part	ASTM A216-WCB
2	阀瓣 Disc	ASTM A105+STL
3	对开圆环 Split ring	ASTM A276-420
4	O型圈 O-ring	NBR
5	阀瓣盖 Valve flat cover	ASTM A105
6	阀杆 Stem	ASTM A276-410
7	防转板 Move-proofplate	碳钢 Carbon steel
8	销轴 Pin	ASTM A 193-B7
9	填料垫 Packing seat	ASTM A276-410
10	填料 Packing	柔性石墨 Graphite
11	预紧螺栓 Preloaded screw bolt	ASTM A 193-B7
12	填料压套 Stuffing cover	ASTM A276-410
13	填料压盖 Gland	ASTM A216-WCB
14	阀座 Seat	ASTM A105+STL
15	垫片 Gasket	柔性石墨+不锈钢 Graphite+stainless steel
16	护板 Guard plate	AISI 9260
17	螺柱 Stud	ASTM A 193-B7
18	螺母 Nut	ASTM A194-2H
19	阀体 Body	ASTM A216-WCB
20	阀盖 Bonnet	ASTM A216-WCB
21	阀杆螺母 Yode nut	铜合金 Copper alloy
22	轴承压盖 Bearing gland	ASTM A105
23	驱动装置 Driving device	

XA(s)Js45Y、XA(S)Js545Y、XA(s)Js945Y



● 主要外形尺寸 Main size of outside

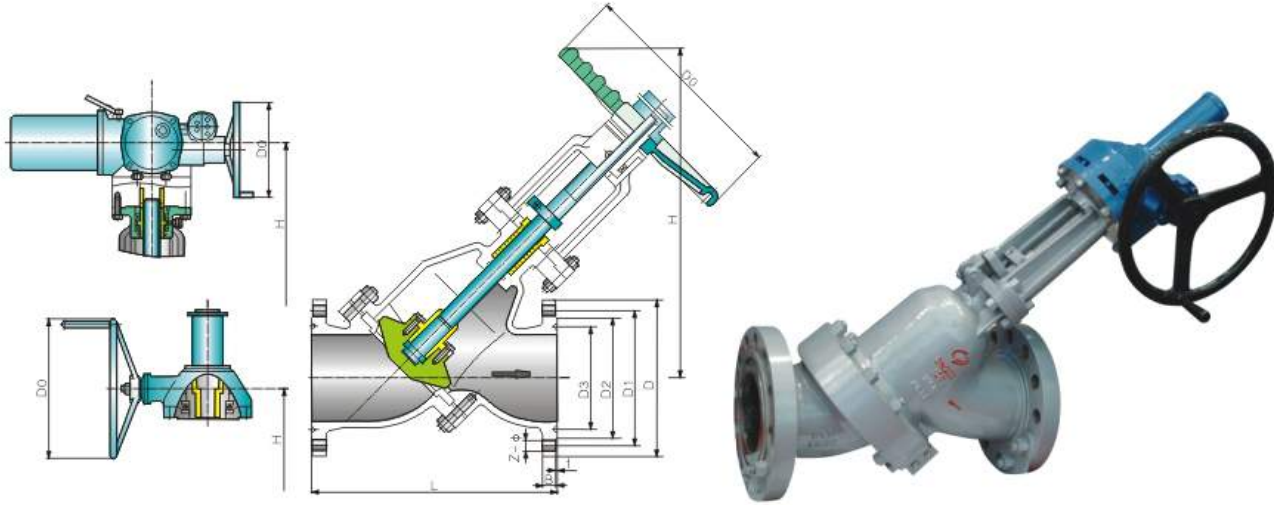
Class 150(PN2.0MPa)

规格 Size		驱动方式 Driviing manners	L	D	D1	D2	B	Z-φ	f	D0	H	驱动装置* Driviing device
DN(mm)	NPS(in)											
50	2	手动 Hand operated	230	150	120.5	92	16	4-20	2	250	307	-
80	3		310	190	152.5	127	19.5	4-20	2	250	386	-
100	4		350	230	190.5	157	24	8-20	2	300	448	-
125	5		400	255	216	186	24	8-22	2	320	519	-
150	6		480	280	214.5	216	25.5	8-22	2	350	600	-
200	8	齿动 Gear driving	600	345	298.5	270	29	8-22	2	310	795	BA-0
250	10		730	405	362	324	30.5	12-26	2	310	880	BA-0
300	12		850	485	432	381	32	12-26	2	500	935	BA-1
350	14		980	535	476	413	35	12-30	2	600	1088	BA-2
200	8		电动 Electric driving	600	345	298.5	270	29	8-22	2	305	995
250	10	730		405	362	324	30.5	12-26	2	305	1045	SMC-00
300	12	850		485	432	381	32	12-26	2	305	1105	SMC-0
350	14	980		535	476	413	35	12-30	2	305	1250	SMC-0

注：*驱动装置可根据用户要求选用。

Notes: *The driving device can be chosen by the user's demand.

XAJs45Y、XAJs545Y、XAJs945Y



● 主要外形尺寸 Main size of outside

Class 300(PN5.0MPa)

规格 Size DN(mm) NPS(in)	驱动方式 Driving manners	L	D	D1	D2	D3	B	Z-φ	f	D0	H	驱动装置* Driving device
50 2	手动 Hand operated	372 (361)*	165	127	108	82.55	22.5	8-20	8	350	426	-
80 3		390	210	168.5	146	123.82	29	8-22	8	400	615	-
100 4		468 (461)*	255	200	175	149.22	32	8-22	8	500	730	-
125 5	齿动 Gear driving	546	280	235	210	180.98	35	8-22	8	500	810	-
150 6		619	320	270	241	211.12	37	12-22	8	460	1320	BA-1
200 8		743 (736)*	380	330	302	269.88	41.5	12-26	8	460	1450	BA-1
250 10	电动 Electric driving	848 (841)*	445	387.5	356	323.85	48	16-30	8	500	1430	BA-2
150 6		619	320	270	241	211.12	37	12-22	8	550	1200	SMC-1
200 8		743 (736)*	380	330	302	269.88	41.5	12-26	8	305	1380	SMC-1
250 10		848 (841)*	445	387.5	356	323.85	48	16-30	8	457	1280	SMC-2

Class 400(PN10.0MPa)

规格 Size DN(mm) NPS(in)	驱动方式 Driving manners	L	D	D1	D2	D3	B	Z-φ	f	D0	H	驱动装置* Driving device
50 2	手动 Hand operated	378	165	127	108	82.55	25.5	8-20	8	350	465	-
80 3		470	210	168.5	146	123.82	32	8-22	8	400	520	-
100 4		546	275	216	175	149.22	38.5	8-26	8	450	650	-
125 5	齿动 Gear driving	610	330	267	210	180.98	44.5	8-30	8	500	720	-
150 6		634 (641)*	355	292	241	211.12	48	12-30	8	500	1018	BA-2
200 8		771	420	349	302	269.88	55.5	12-33	8	500	1140	BA-2
250 10	电动 Electric driving	882.5 (865)*	510	432	356	323.85	63.5	16-36	8	600	1150	BA-3
150 6		634 (641)*	355	292	241	211.12	48	12-30	8	305	1140	SMC-0
200 8		771	420	349	302	269.88	55.5	12-33	8	400	1200	SMC-1
250 10		882.5 (865)*	510	432	356	323.85	63.5	16-36	8	457	1280	SMC-2

注：*此规格结构长度L有两种系列 **驱动装置可根据用户要求选用。

Notes: *The length L of the standard construction has two series. **The driving device can be chosen by the user's demand.

● 产品结构特征 Products design features

系列放料阀有Y型及角式两种结构形式，根据实际工况的需要，放料口的形式设计有带管接及平底两种，阀体内腔装有耐冲刷、耐腐蚀的护板，在开启阀门瞬间，可以保护阀体不被介质冲刷、腐蚀，并对其整体进行特种表面处理，使表面硬度达到HRC60-65，具有高耐磨、耐腐蚀的优良功能。阀座密封面与阀瓣密封面均堆焊有司太立硬质合金，密封副采用线密封，保证密封，保证密封的可靠性，并可防止结疤。阀门设有防转机构，保证阀杆在开启和关闭时只做直线运动，不做回转运动。阀门驱动方式有：手动、电动、气动、齿轮传动。

The series of dumping valve has two constructions: Y-type & angle type, to the actual needs in operation, the dumping entry has been designed into two types, pipe-connecting and flat bottom. An anti-washing and anticorrosion protection plate is set in the cavity of the valve body. At the moment of the valve opens, the plate can protect valve from washing out or erosion, and carry out chemical Ni. P plating treatment on the whole valve which makes the surface hardness reach HRC60-62. The sealing adopts spherical seal, the surface of which is line connecting. This can ensure the sealing reliability and avoid scabs. Moreover, A rotation-resistant device is set up to ensure that the valve stem only has straight line motions, and no revolving motions. The driving manners of the valve include hand driving, electric driving air operated and geared transmission.

● 产品规格 Products specification

型号 Models	公称压力 Nominal pressure	驱动方式 Driving manner	公称通径 Nominal size															
			2	3	4	5	6	8	10	12	14	16	20					
XA sF45Y	Class 150	手动 Hand-operated	☆	☆	☆	☆	☆											
	Class 300		☆	☆	☆	☆												
	Class 400		☆	☆	☆	☆												
XA sF545Y	Class 150	齿轮传动 Gear driving									☆	☆	☆	☆				
	Class 300										☆	☆	☆					
XA sFb645Y	Class 150	气动 Gas driven driving										☆	☆	☆	☆	☆		
	Class 300											☆	☆	☆				
XA sFs44Y	Class 150	手动 Hand-operated										☆	☆	☆				
XA sFs544Y	Class 150	齿轮传动 Gear driving													☆	☆	☆	☆

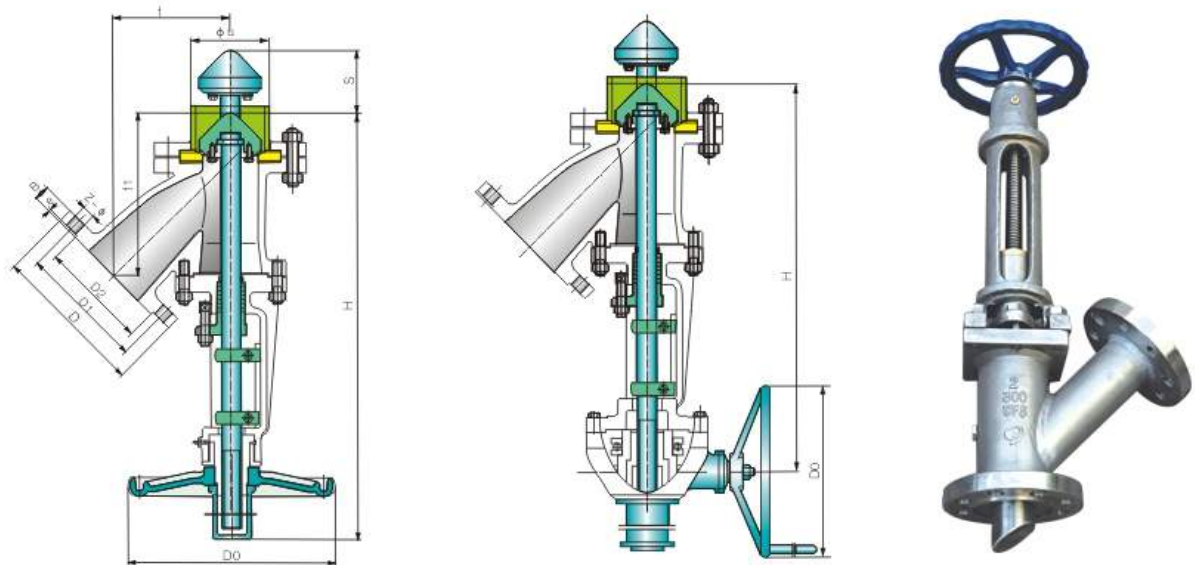
注：本公司可根据用户要求提供产品。

Notes: Our company can provide products according to the customers' request.

● 产品性能规范 Products performance specification

公称压力 Nominal pressure	壳体试验压力 Shell test pressure	密封试验压力 Sealing test pressure	介质温度 Medium temperature	适用介质 Applicable medium
Class 150	3.0	2.2	≤300°C	粒状、颗粒料浆 Alkaline basic alumina slurry
Class 300	7.8	5.7		
Class 400	10.5	7.7		
Class 600	15.0	11.0		

XA(s) Fg45Y、XA(s) Fg545Y、XA(s) Fg945Y



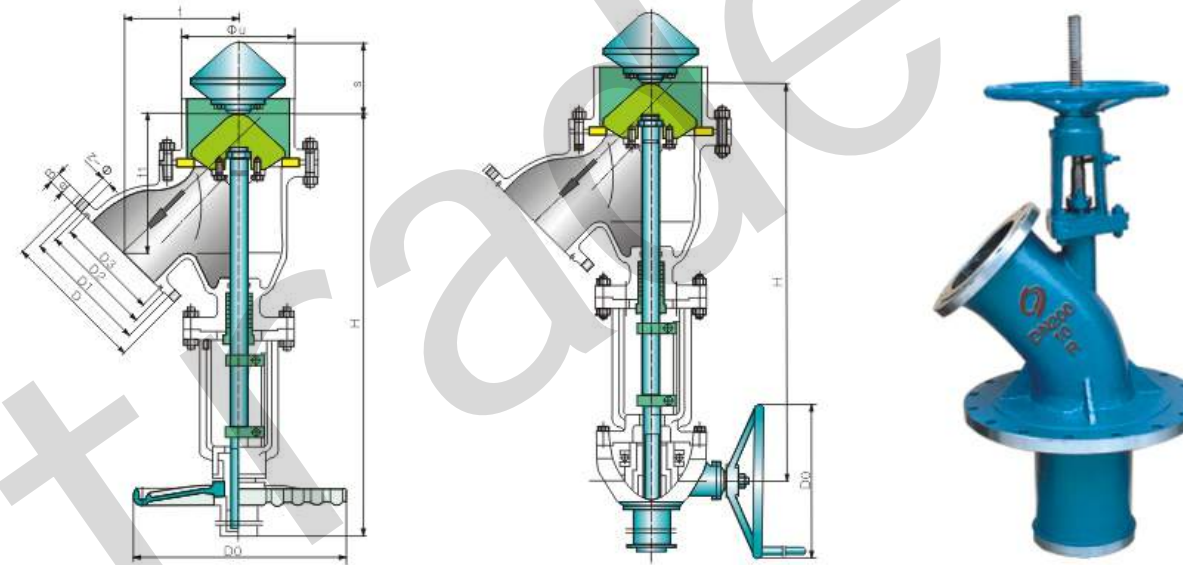
● 主要外形尺寸 Main size of outside

Class 150(PN2.0MPa)

规格 Size		驱动方式 Driving manners	f	f1	D	D1	D2	B	Z-φ	e	D0	H	s	φu	驱动装置* Driving device
DN(mm)	NPS(in)														
50	2"	手动 Hand operated	120	162	150	120.5	92	16	4-20	2	250	450	60	63.5	-
80	3"		150	200	190	152.5	127	19.5	4-20	2	250	520	80	89	-
100	4"		170	235	230	190.5	157	24	8-20	2	250	632	80	114	-
125	5"		200	275	255	216	186	24	8-22	2	320	750	100	140	-
150	6"		225	295	280	241.5	216	25.5	8-22	2	360	925	120	159	-
200	8"		290	350	345	298.5	270	29	8-22	2	450	1145	170	219	BA-1
250	10"	齿动 Gear driving	355	390	405	362	324	30.5	12-26	2	500	1320	200	273	BA-1
300	12"		420	450	485	732	381	32	12-26	2	550	1450	230	325	BA-1
350	14"		480	515	535	476	413	35	12-30	2	600	1600	260	356	BA-1

注：*驱动装置可根据用户要求选用。
Notes: *The driving device can be chosen by the user's demand.

XA Fg45Y、XA Fg545Y、XA Fg945Y



● 主要外形尺寸 Main size of outside

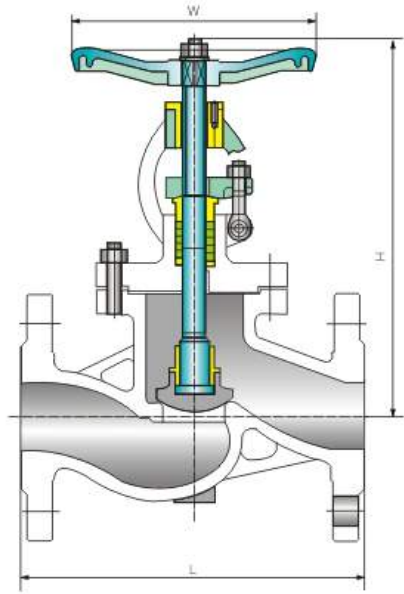
Class 300(PN5.0MPa)

规格 Size		驱动方式 Driving manners	f	f1	D	D1	D2	D3	B	Z-φ	e	D0	H	S	φu	驱动装置* Driving device
DN(mm)	NPS(in)															
50	2"	手动 Hand operated	120	162	165	127	108	82.55	22.5	8-20	8	305	465	60	63.5	-
80	3"		150	200	210	168.5	146	123.82	29	8-22	8	400	580	80	89	-
100	4"		170	235	255	200	175	149.22	32	8-22	8	500	690	80	114	-
125	5"		200	275	280	235	210	180.98	35	8-22	8	500	860	100	140	-
150	6"	齿动 Gear driving	225	295	320	270	241	211.12	37	12-22	8	550	1100	120	159	BA-1
200	8"		290	350	380	330	302	269.88	41.5	12-26	8	600	1240	220	219	BA-1
250	10"		355	390	445	387.5	356	323.85	48	16-30	8	700	1350	275	273	BA-1

Class 600(PN10.0MPa)

规格 Size		驱动方式 Driving manners	f	f1	D	D1	D2	D3	B	Z-φ	e	D0	H	S	φu	驱动装置* Driving device
DN(mm)	NPS(in)															
50	2"	手动 Hand operated	180	240	165	127	108	82.55	25.5	8-20	8	305	465	60	63.5	-
80	3"		200	250	210	168.5	146	123.82	32	8-22	8	400	580	80	89	-
100	4"		225	295	275	216	175	149.22	38.5	8-26	8	500	690	80	114	-
125	5"		255	345	330	267	210	180.98	44.5	8-30	8	500	860	100	140	-
150	6"	齿动 Gear driving	300	390	355	292	241	211.12	48	12-30	8	550	1100	120	159	BA-2
200	8"		350	445	420	349	302	269.88	55.5	12-33	8	600	1240	220	219	BA-2
250	10"		390	490	510	432	356	323.85	63.5	16-36	8	700	1350	275	273	BA-2

注：*驱动装置可根据用户要求选用。Notes: *The driving device can be chosen by the user's demand.



● 应用规范 Application of norms

- 1、设计制造按GB12235-89
 - 2、结构长度按GB12221-89
 - 3、法兰尺寸按JB/T79-94
 - 4、阀门检查和试验按GB13927
- 1. Design Manufacture According to GB12235-89
 - 2. Face to Face According to GB12221-89
 - 3. Flange Dimension According to JB/T79-94
 - 4. Valve Check and Test According to Gb13927

● 结构 Structure

B.B; OS&Y
Characteristic: B.B; OS&Y

● 产品材质 Product material

钛 (TitaniumS)
TA2、ZTA2、ZTA1、TA1、TA3、TA10
Grade2、GradeC-2
镍材 (哈氏合金、蒙乃尔合金)、锆材
Nickel wood (Harrington alloy, Monel alloy), wood of Zirconium

● 主要外形尺寸 Main size of outside

1.6MPa

尺寸 Dimension	DN	15	20	25	32	40	50	65	80	100	125	150	200	250	300	350	400
L	mm	130	150	160	180	200	230	290	310	350	400	480	600	650	750	850	950
H	mm	200	243	253	280	312	321	325	355	415	460	510	700	975	1115	1250	1380
W	mm	120	140	160	160	200	200	240	240	280	320	360	560	600	700	800	900

● 主要外形尺寸 Main size of outside

2.5MPa

尺寸 Dimension	DN	15	20	25	32	40	50	65	80	100	125	150	200	250	300	350	400
L	mm	130	150	160	180	200	230	290	310	350	400	480	600	650	750	850	950
H	mm	200	243	253	280	312	321	325	355	415	460	510	700	975	1115	1250	1380
W	mm	120	140	160	160	200	200	240	240	280	320	360	560	600	700	800	900

● 主要外形尺寸 Main size of outside

4.0MPa

尺寸 Dimension	DN	15	20	25	32	40	50	65	80	100	125	150	200	250	300	350	400
L	mm	130	150	160	180	200	230	290	310	350	400	480	600	650	750	850	950
H	mm	200	243	253	280	312	321	325	355	415	460	510	700	975	1115	1250	1380
W	mm	120	140	160	160	200	200	240	240	280	320	360	560	600	700	800	900

● 主要外形尺寸 Main size of outside

6.4MPa

尺寸 Dimension	DN	15	20	25	40	50	65	80	100	125	150
L	mm	170	190	210	230	260	300	340	380	430	550
H	mm	195	228	250	325	360	410	450	485	537	646
W	mm	140	160	180	200	240	280	320	360	400	450

